



American Tables & Seating, Mfg.



Building American-made booths since 1999...
Over 75,000 Booths Shipped!

PRICE LIST & PRODUCT GUIDE



AUTOQUOTES
Enabled

Effective January 1, 2012

www.ATSFurniture.com 770.270.1688 f 770.270.5919



ATS ONLINE SPACE PLANNING / LAYOUT

Our New ATS Online Space Planner is available at...

www.ATSFurniture.com



Custom Booths and Space Design

ATS's design department can match any design!

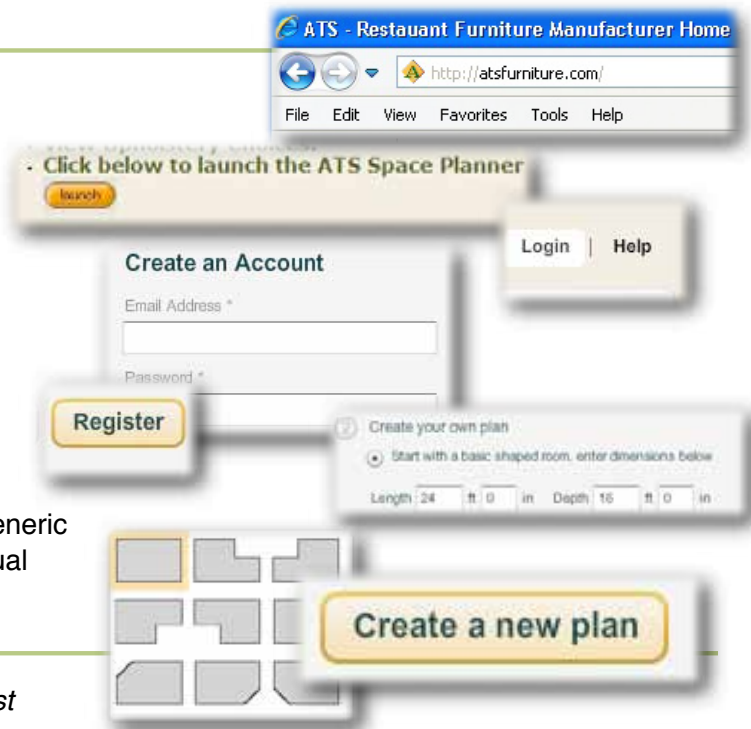
Our team can also provide an unlimited array of styles and CNC engraved designs to create a 100% exclusive look for any of your clients.

Contact ATS Sales for more information.



EASY TO USE

1. Go to ATSFurniture.com.
2. Click the launch button.
3. Click Login.
4. Enter Your Information.
5. Click Register.
6. Enter your room size.
7. Select a shape.
8. Click Create a New Plan.
9. That's it. Just drag and drop to build your plan. Choose from generic restaurant symbols or actual ATS products!



If you have any questions, just email: planner@atsfurniture.com

Discontinued Item Specials

Save Up to 50% While Supplies Last!

Shown in List Prices



\$137.50
522-BS
Natural or Cherry
Grade 4, Wt: 19 lbs



\$137.50
526-BS
Natural or Walnut
Grade 4, Wt: 19 lbs



\$122.50
860-BS
N, C, DM, W
Grade 4, Wt: 19 lbs



\$122.50
235-BS
Cherry
Grade 4, Wt: 23 lbs



\$147.50
970-BS
Natural
Grade 4, Wt: 23 lbs



\$122.50
970
Natural
Grade 4, Wt: 20 lbs



\$97.50
88N-BS
Black Gloss Metal
Grade 4, Wt: 22 lbs



\$112.50
79
Black Metal
Grade 4, Wt: 19 lbs



\$112.50
227
Cherry
Grade 4, Wt: 16 lbs



\$137.50
227-BS
Cherry
Grade 4, Wt: 19 lbs

- Ships in 7 Days!
- Choose from any Grade 4 Vinyl for seats (except 990, 51 or 52)
- 30 Day Limited Warranty
- No Returns

Discontinued Item Specials

Save Up to 50% While Supplies Last!

Shown in List Prices



\$97.50

990

Natural, Solid Wood Seat
Wt: 19 lbs



\$97.50

990

Dark Mahogany
Solid Wood Seat
Wt: 19 lbs



\$147.50

51A

Vinyl Woven Textured
Aluminum / Wood
Wt: 9 lbs



Stackable!

\$122.50

51S

Vinyl Woven Textured
Aluminum
Wt: 8 lbs



\$240.00

590-BS

Dark Mahogany
Grade 4, Wt: 32 lbs



\$135.00

870

Cherry
Grade 4, Wt: 32 lbs

\$172.50

52S

Black Aluminum / Teak
Wt: 8 lbs



\$197.50

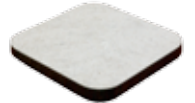
52A

Black Aluminum / Teak
Wt: 9 lbs

- Ships in 7 Days!
- Choose from any Grade 4 Vinyl for seats (except 990, 51 or 52)
- 30 Day Limited Warranty
- No Returns

TABLE OF CONTENTS

ORDERING & SHIPPING	2-3
SPACE PLANNING.....	4-5
BOOTH DIMENSIONS	6-7
ATS ECONO-LINE™ PRODUCTS	8-12
Asian Imported Wood Chairs & Barstools	8
Popular Metal Chairs	9
Econo-line(Quickship) Booths	10
Reversible Table Tops.....	11
Resin Table Tops	12
WOOD CHAIRS & BARSTOOLS	13-17
Wood Chairs & Barstools.....	14-17
METAL CHAIRS & BARSTOOLS	18-24
Metal Chairs & Barstools	19-21
Swivel Barstool Collection	22
Aluminum Chairs, Barstools & Tables.....	23
Outdoor Chair, Table & Umbrella	24
BOOTHS	25-49
Upholstered Booths	29-38
Alex Booths.....	39-41
Wood Booths	42-49
Waiting Benches	36
TABLE TOPS	50-57
Laminate Table Tops.....	52-55
Solid Ash Wood Table Tops	56
Drop-leaf Table Tops.....	57
Padded Table Tops	57
TABLE BASES	58-61
Cantilever Table Bases	58
With tops purchase	59
Bulk Pack / Without tops purchase	59
Bulk Pack / Stock pricing	60
Chrome Column.....	61
OTHER	61-63
Core-Drill Chrome Diner Chair Base	61
Parts	62
Trash Receptacles	63
High Chairs	63





ORDERING & SHIPPING

HOW TO ORDER

ATS sells all products via dealers, designers, contractors and consultants only.

We are happy to assist anyone with layout, design, factory tour, planning and quoting. ATS will also provide a referral to a dealer/consultant in the customer area to expedite the customer order.



The Process

1. Send purchase orders to

Email: PurchaseOrder@ATSFurniture.com
Fax: 770-270-5919
Mail: 5025-C N. Royal Atlanta Dr., Tucker, GA 30084

2. Watch for missing information and questions from ATS

Orders are not scheduled until all questions have been answered including TBD/TBA notes. This includes all sizes, fabrics, layout, material direction, colors, quantity accounting/pricing and shipping information.

3. Review the customer acknowledgement for errors/issues

ATS order acknowledgments are created from customer purchase orders and are considered written agreements to perform all work as specified.

We are NOT responsible for acknowledgment errors unless noted within 24 hours of sending the order acknowledgment.

4. Ensure all payments terms are met

Accounting must release all orders for them to proceed into production. The customer can send email to accounting@atsfurniture.com to check the customer account status and setup payment terms if needed.

5. Notify ATS of any changes ASAP

Changes while in production can be expensive and usually will change the shipping date. The customer is responsible for all costs incurred by ATS for any changes during production.

6. Enjoy the customer new ATS products!

ATS will be shipping on the acknowledgement's scheduled date unless notified otherwise. ATS packs to ensure that the quality that leaves the ATS factory, makes it to the customer's door.

PRICING INFORMATION

All prices shown are manufacturer's list prices, in US dollars, F.O.B. ATS factory in Tucker, Georgia. Pricing includes, assembly (except table bases), normal packaging, cartons and pallets.

ACCOUNTS & CREDIT

CREDIT TERMS: ATS offers discounted net terms to approved dealers, designers, contractors and consultants. ATS accepts payment via American Express, MasterCard, Visa, Check, Cash, Money Order or Wire Transfer.

NEW ACCOUNTS: New accounts (before final account approval) require 50% advance payment with the order before production scheduling takes place. Full payment, or final approval of terms is required 3 days before the shipment date.

QUOTES / CHANGES

CHANGES / SPECIAL REQUIREMENTS: Changes while in route, or customer's failure to specify all delivery requirement(s) will result in additional freight charges to the customer.

Note: Drivers are under no obligation to assist with off loading.

COM: CUSTOMER'S OWN MATERIAL

ATS is NOT responsible for COM material.

All COM packages must be clearly marked on the exterior with Company name, Purchase order number and/or ATS order number.

DAMAGE & SHORTAGE CLAIMS

It is customers' responsibility to inspect the entire shipment delivery and report issues to ATS within 5 days of receipt.

ATS accepts no responsibility for freight related issues reported 6 or more days after receipt of shipment.

3RD Party Shipments: ATS accepts no responsibility for freight related issues with third party carriers.

VISIBLE DAMAGE: To prevent additional charges... **DO NOT REFUSE THE SHIPMENT.**

- Note all damage on the delivery receipt before signing for goods.
- Keep a record of driver's name and anyone the customer may talk with at the carrier.

CONCEALED DAMAGE: Original packaging must be kept for the carrier, or the claim will be voided.

FREIGHT CLAIM PROCESSING: Any claim against ATS or the carrier for damaged goods must include appropriate damage notation on delivery receipt, photos and signed verification **within 5 days of delivery receipt.**

Using ATS' Warranty Evaluation form will expedite the process (available via the online sale resource center at atsfurniture.com).

WARRANTY & RETURNS

Customer assumes responsibility for normal wear and tear. Products sold as 'closeouts', 'as-is' and 'used' have no warranties.

LIMITED WARRANTY: ATS warrants all ATS products to be free of manufacturer defects in material and workmanship for one year from the original date of purchase unless otherwise noted. Welded steel frames, excluding stack chairs, are warranted for 5 years against broken or fatigued welds.

ATS's warranty responsibility is limited to the cost of replacement or repair (at ATS' discretion) of the ATS products. FOB Tucker, GA

NON-WARRANTY RETURNS: Used or custom products cannot be returned. No product may be returned for credit or exchange without prior written authorization from ATS. Approved returns are subject to a minimum restocking and handling fee of 25%, and freight prepaid.

WOOD STANDARDS & REGULATIONS: U.S. Commercial Standards/Regulations require us to advise the customer that a wood product may experience some degree of warpage and thickness variation. We do not warranty warpage.

WARRANTY CLAIMS: ATS is not responsible for warranty claims reported after 30 days from first recognition of the issue by the enduser. Once a claim is processed, ATS will work directly with the enduser to satisfy all warranty claims. All warranty claims must be provided in writing on ATS's Warranty Evaluation form.

ORDERING & SHIPPING



FREIGHT & HANDLING

ATS ships within the continental United States only. Orders can ship freight collect, prepay and add, or 3rd party as specified.

At ATS, we take pride in our products. Getting it onsite, in perfect condition is a priority in the process. We work to provide the best balance between strength and cost in packaging. This ensures that our customers get the very best value for their dollar.

ADDITIONAL FREIGHT CHARGES

In addition to transit costs, additional charges are incurred for freight services, and delivery options. If these were not specifically indicated on the purchase order/quote, they will be considered additional charges to be invoiced.

Additional delivery options include: Re-delivery, Storage, Re-consignment, Call-ahead notification, Inside Delivery, Lift-gate, Weekend Delivery, Driver Off-loading labor, and Limited Access Charges.

Limited Access charges have additional fees via every trucking company.

In addition to commercial establishments not open to the walk-in public during normal business hours, limited access areas include:

- Residential
- Apartments
- Non-commercial
- Hospitals
- Schools
- Military Bases
- Military Installations
- Construction Sites
- Individual (mini) Storage Units,
- Fairs, Carnivals, Chautauquas
- Prisons

FREIGHT CLASS INFORMATION

Freight class is a rating based on density and/or the NMFTA system of storability, density, stowability, handling and liability. Using freight classes assure that the carriers get proportionally compensated for lighter products that use up a lot of space. Furniture by nature, is going to have a lower density, and a higher freight class (costing more per pound).

NMFTA Carriers will use the NMFC Code to determine class. Non-NMFTA carriers will use density.

Standard freight classes based on density and NMFC for ATS restaurant furniture are as follows:

Item	Density	NMFC	Class: Density/NMFC
Booths	2.77-3.98	27880	250 / 150
Wood Barstools	2.41	80580	250 / 250
Metal Barstools	2.85	80580	250 / 250
Metal Chairs	4.17	80580	200 / 150
Trash Receptacles	3.02	39270	200 / 200
Table Tops	22.68	83620	85 / 70
Table Bases	22.68	82790	85 / 70

* Freight Quotations are valid for 15 days

HOW WE PACKAGE

ATS Booths and Wall Benches are bagged, padded, palletted and boxed. After inspection and approval, our booths are wrapped with heavy duty commercial grade stretch wrap and fastened inside a heavily constructed box on reinforced pallet, then banded for stability.

We custom cut our boxes to 'angle' the tops to prevent stacking.



We then shrink wrap and marke with "ATS -- Do Not Stack" caution tape.

Our goal is to ensure that the quality that leaves our dock, reaches the customer's door, perfect & undamaged.



ATS Chairs and Barstools are padded and boxed to ensure maximum protection during shipment. Pallets of products are wrapped with heavy duty commercial grade stretch wrap and marked/ wrapped with "ATS - Do Not Stack" caution tape.



ATS Tables, Bases and Trash Receptacles

are boxed, palletted, and banded. The shape of the package is built in such a way as to discourage stacking during transfer / transit. We also wrap with heavy duty commerical grade stretch wrap and further marked and wrapped with "ATS -- Do Not Stack" caution tape.



SPACE PLANNING

Our New ATS Online Space Planner is available at...

www.ATSFurniture.com

Why Booths?:

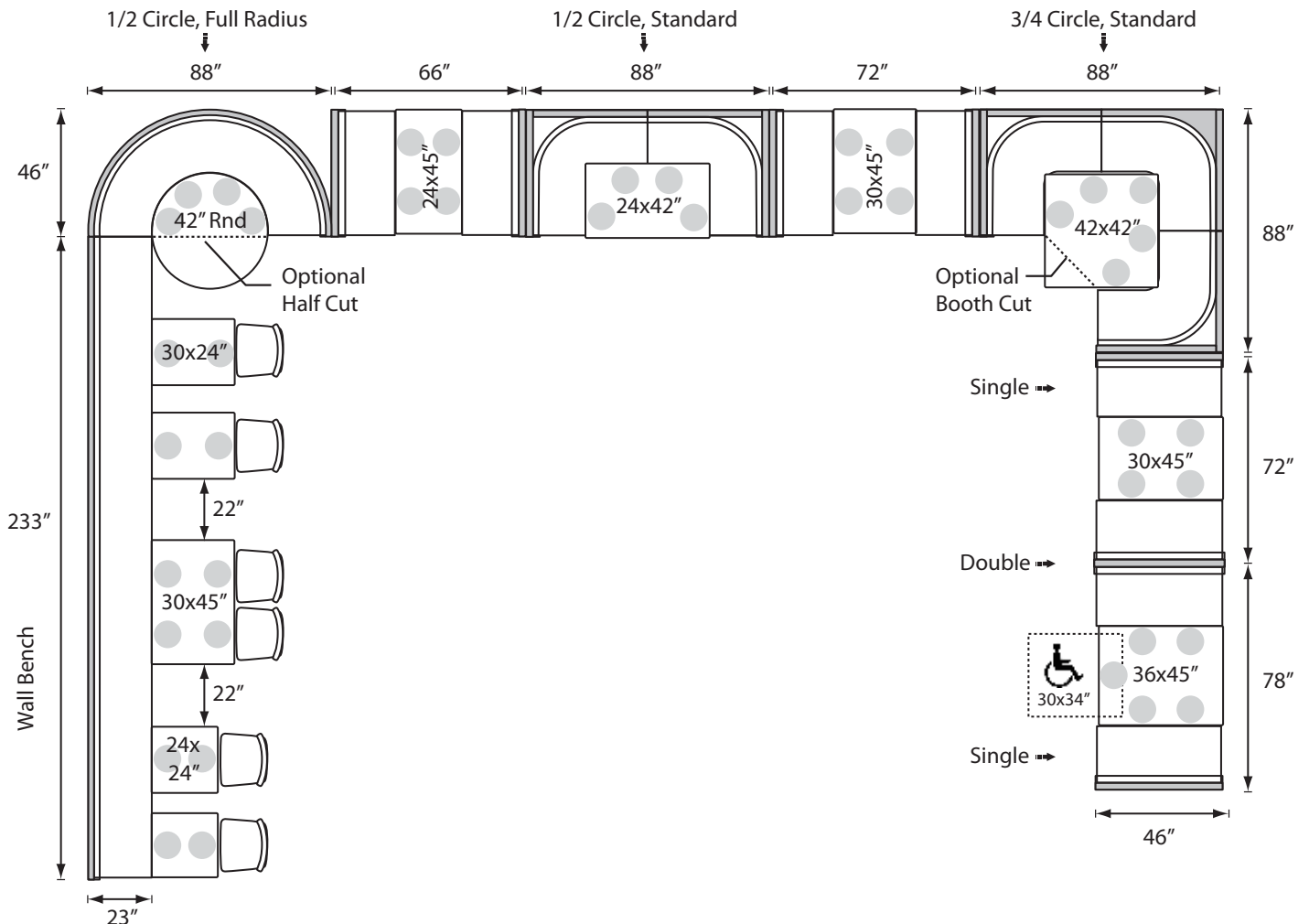
In addition to more privacy and comfort, booths tend to add warmth (and revenue) to the front of the house.

Booths are available in single, double, 1/2 circle, 3/4 circle and wall benches. Using a wall bench with small tables allows easy conversion from couple settings, to large parties.

Booths can be cost more initially, but they are often a better investment in the long run. The square inches of floor space used for a 4 person booth is just over 3,000, while the square inches for a 4 person table can exceed 5,000. That equates to 30% more revenue per seating in a packed house.

Booth Space Layout:

- The standard top cap is 2" wide on all ATS booths.
- A standard layout allows the table edge to align vertically with the outer edge of the booth seat. This provides a comfortable 16-18" seating depth.
- If using 30" wide tables, then booths require 72" from center to center of top caps.
- If using 24" wide tables, the space between booths can be reduced to 66" between the center of top caps.
- Note: Cantilever bases are recommended when using 24" tables with booths. Standard table bases limit the clearance between the booth and column to 10.5 inches when using a 24" table in a booth seating.
- Shading representing 10" plates is shown on the diagrams below.



Aisle Widths:

- Wait staff aisles can be 24" to 30", with service/main aisles 36".
- Allow square inches per seat for:
 - Banquet (close seating) 96-120 sq/in per person
 - Casual Dining 120-144 sq/in per person
 - White Tablecloth (spacious seating) ... 144-168 sq/in per person
- Shading representing 10" plates is shown on the diagrams below.

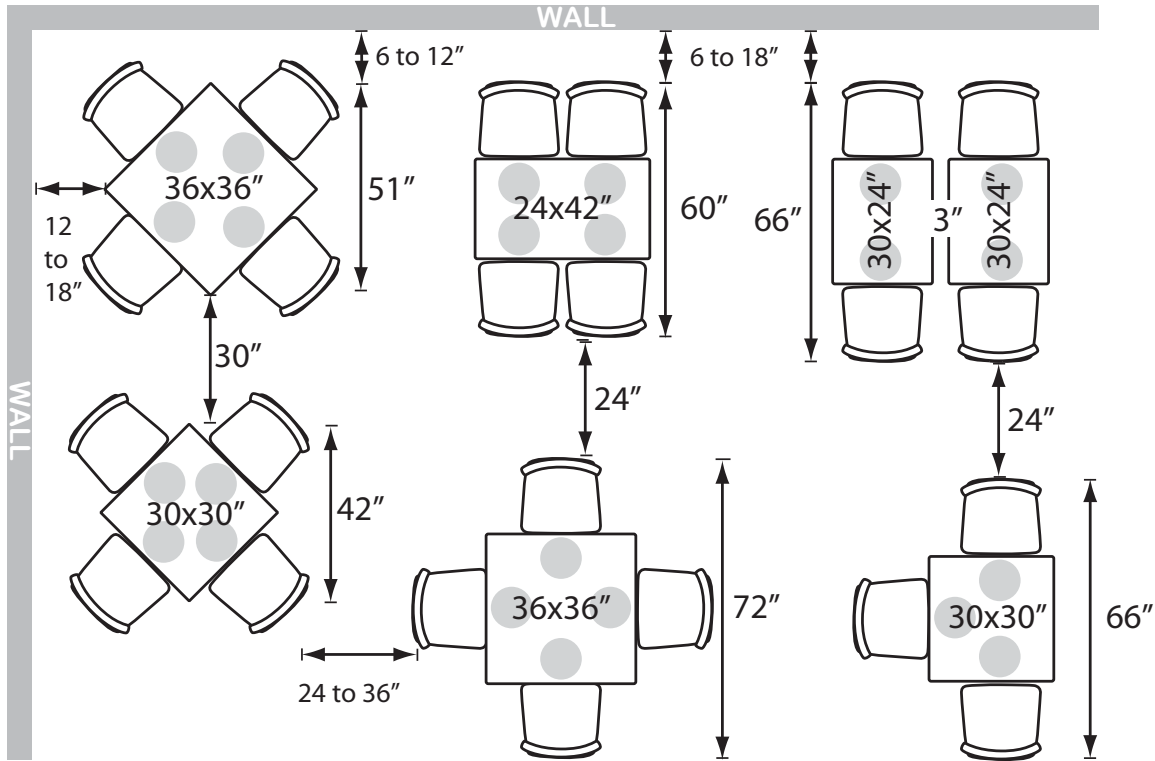
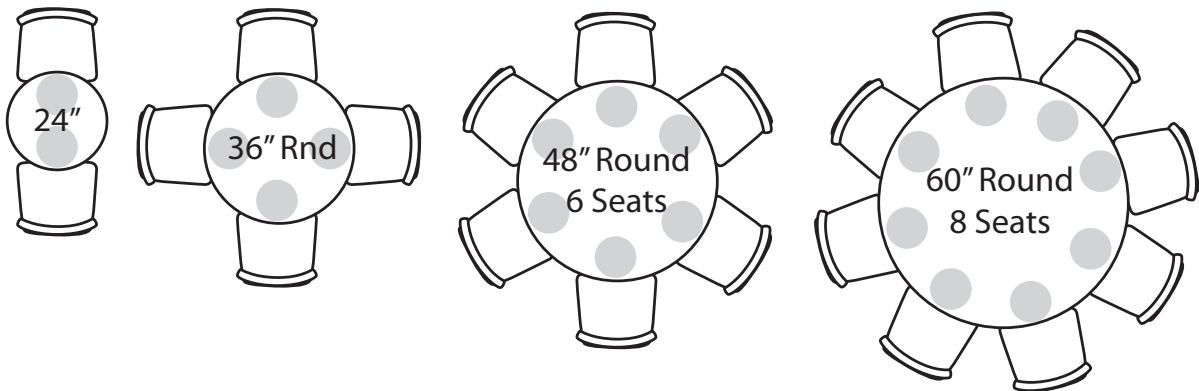


Table Sizes / Space Notes:

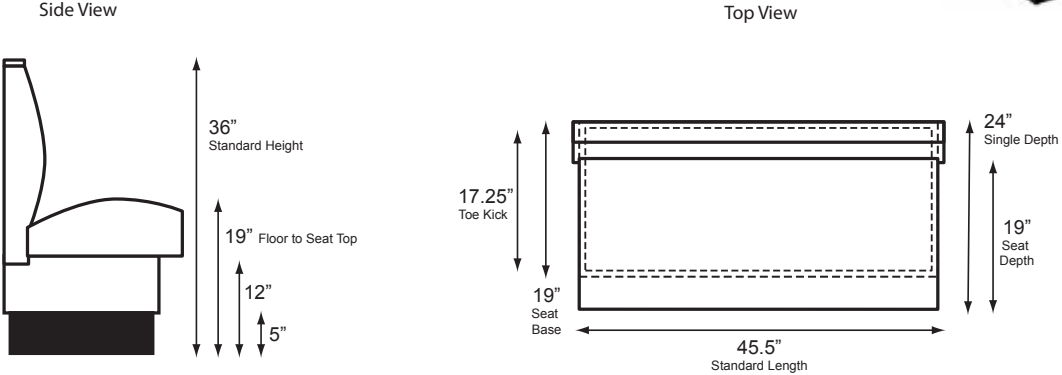
- The architectural standard for dining suggests that 300 square inches table space be allowed per diner.
- 24" table width is a minimum, suitable for a diner. 30" is the standard width. Family dining with platters in the center should consider 36" widths.
- Note, in a booth, that a 24" table's column only allows 10.5" for the patron's feet as the slide over. Cantilever Bases are recommended for booths with 24" table widths.
- Shading representing 10" plates are shown on the diagrams below.



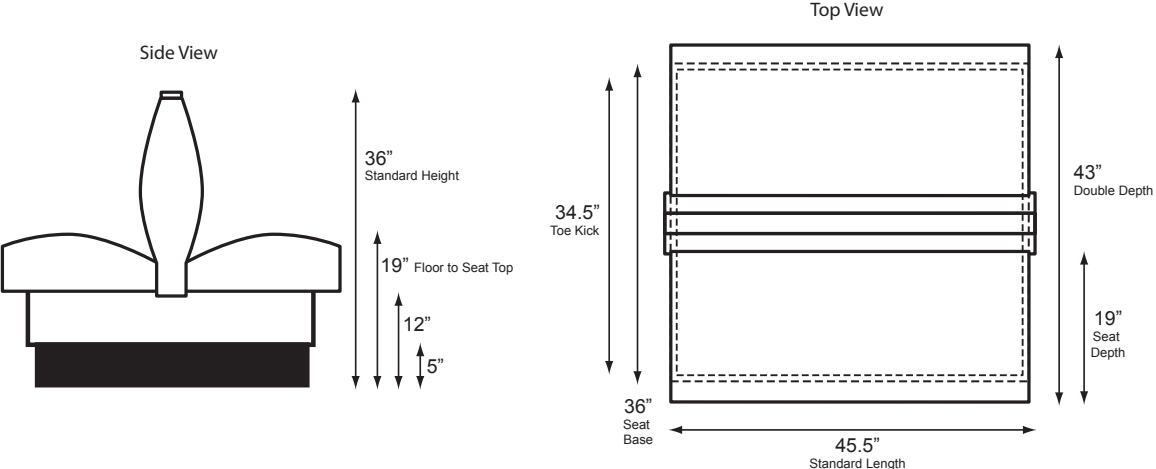
ATS BOOTH DIMENSIONS



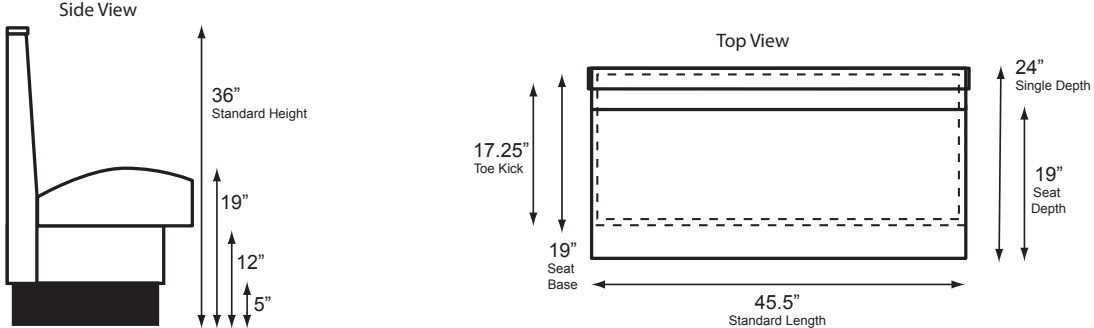
ATS Single Upholstered Booth Upholstery Dimensions



ATS Double Upholstered Booth Upholstery Dimensions

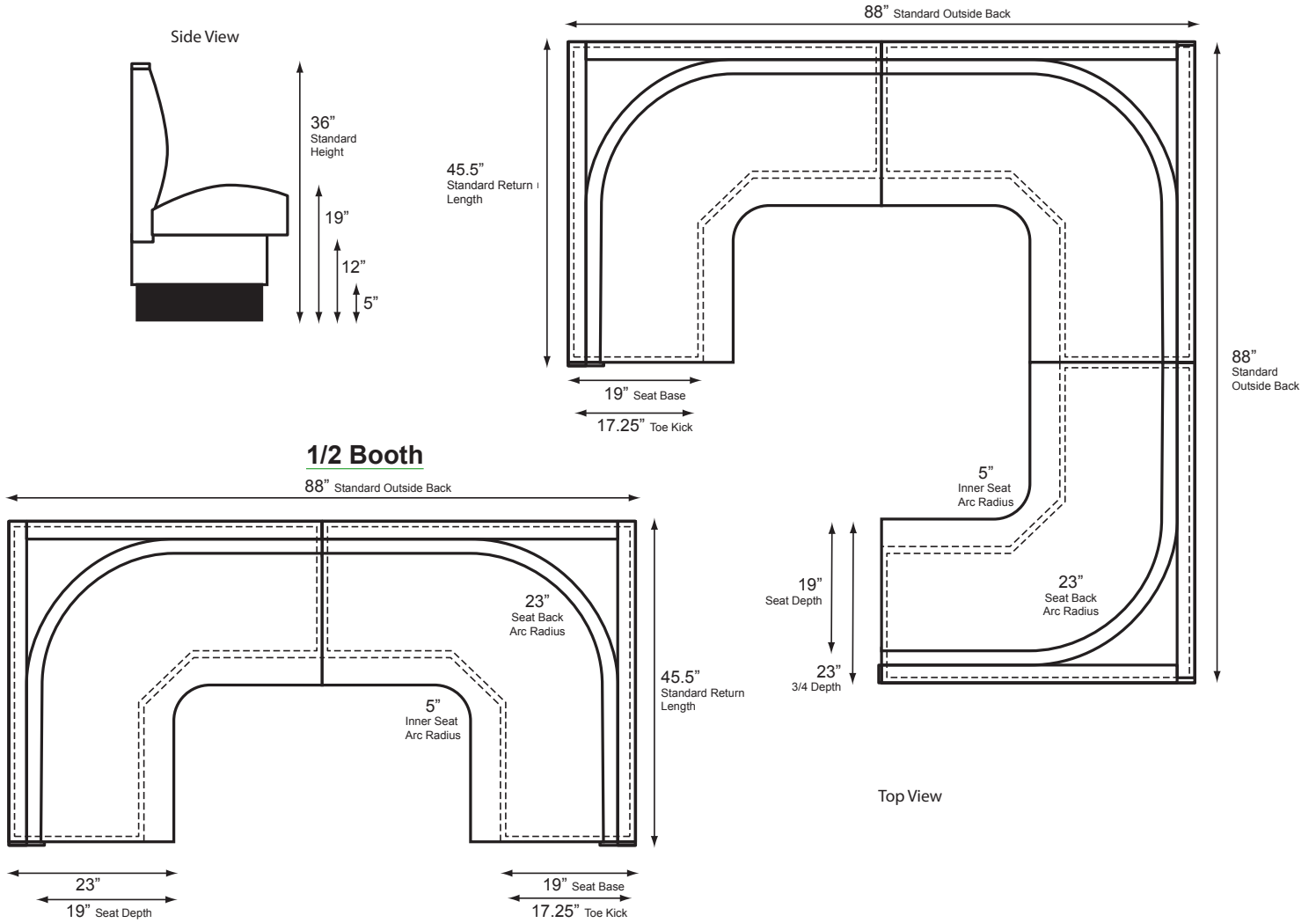


ATS Single Wood Booth Dimensions

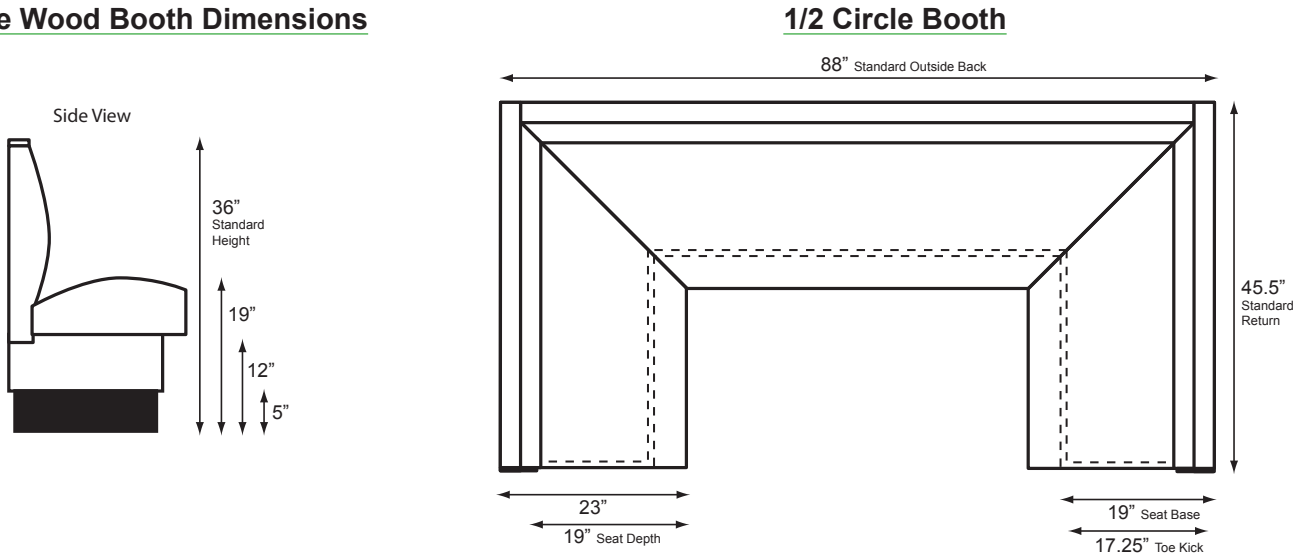


ATS CIRCLE BOOTH DIMENSIONS

ATS Circle Upholstered Booth Dimensions



ATS Circle Wood Booth Dimensions



ATS ECONO-LINE™ CHAIRS

Asian Imported, Wood Chairs & Barstools

Faster shipment, economical quality



Econo-line Wood Chairs & Barstools (P) are promotion priced products, all hardwood construction.

The products use a faster, lower cost production process which delivers a lower price. A greater amount of variance in color consistency is normal.



Note: Econo-line colors can vary up to 15%.

Model #	Solid Wood Seat List \$	Black Vinyl Seat List \$	Size/Inches	Weight Lbs
P830	130.00	130.00	35" x 17½" x 16½"	14 / 17*
P830-BS	155.00	155.00	44" x 17½" x 16½"	21 / 24*
P935	147.50	147.50	35" x 18" x 17"	17 / 20*
P935-BS	172.50	172.50	44" x 18" x 17"	19 / 22*
P880	-	122.50	42½" x 19" x 18"	13
P880-BS	-	152.50	33" x 17" x 17"	16
P821	-	125.00	32½" x 18" x 17"	16
P821-BS	-	152.50	42½" x 18" x 17"	21

- Refer to page 13 for ordering options and additional specifications.
- Back Finish Codes: DM-Dark Mahogany, W-Walnut.
- Includes 1 year frame warranty, 30 day finish warranty.
- * Solid wood seat weight (3 pounds heavier than upholstered seats).

ATS ECONO-LINE™ METAL CHAIRS

Popular Selections with Black Vinyl Seats



Model #	Fram Finish	Black Vinyl Seat List \$	Size/Inches	Weight Lbs
77	Black Textured Powder Coat	90.00	H 32 W 17 D 18	19
77-B	Black Textured Powder Coat	127.50	H 42 W 17 D 20	23
77-BSS	Black Textured Powder Coat	170.00	H 44 W 17 D 17½	30
77C	Clear Coat on Raw Metal	117.50	H 32 W 17 D 17½	19
77C-B	Clear Coat on Raw Metal	165.00	H 41 W 17 D 17½	23
78	Black Textured Powder Coat	90.00	H 32 W 17 D 17	19
78-B	Black Textured Powder Coat	127.50	H 41 W 17 D 17	23
74	Black Powder Coat w/ DM Back **	115.00	H 32 W 17 D 17	19
74-B	Black Powder Coat w/ DM Back **	142.50	H 41 W 17 D 17	23

- Refer to page 18 for ordering options and additional specifications.
- ** Model 74/74-B backs are available in Dark Mahogany only. For other colors use Model 77A (page 20).

ATS ECONO-LINE™ BOOTHS

Economy Construction to Save \$\$

Save with ready-to-ship colors and/or plywood seat cores



QAS-36 / QPAS-36
Shown in Red Sail ARM-116-M



QAD-42 / QPAD-42
Shown in Tsunami ARM-126-M

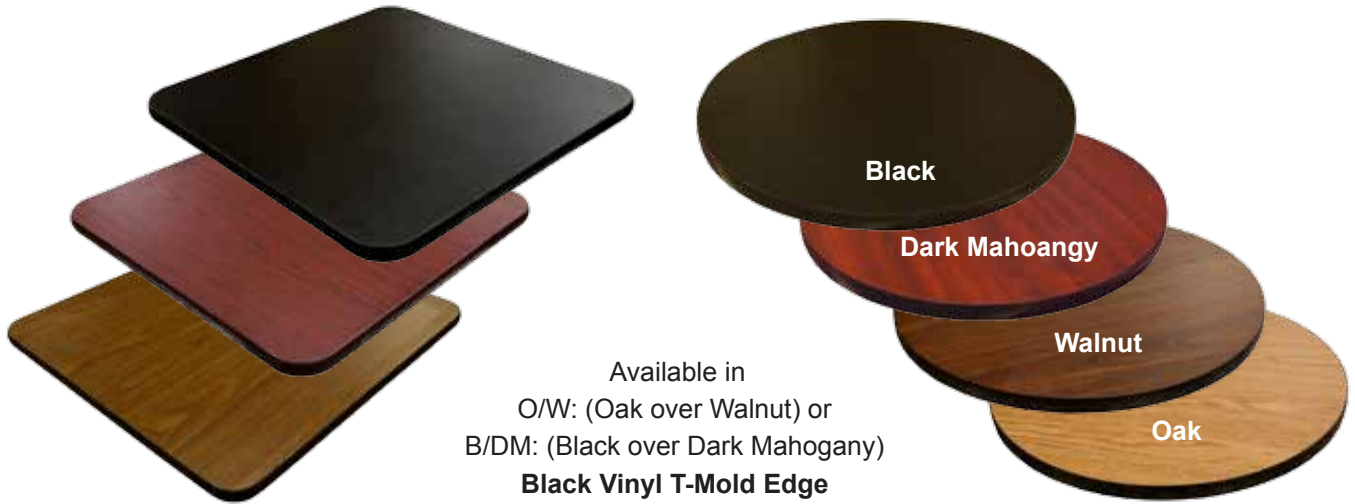
Model #	Height	Booth Type	Seat Construction	List \$	Weight Lbs
QAS-36	36"	Single	Standard - Sinuous Spring	490.00	76
QAD-36	36"	Double	Standard - Sinuous Spring	807.00	108
QAS-42	42"	Single	Standard - Sinuous Spring	552.50	85
QAD-42	42"	Double	Standard - Sinuous Spring	932.50	118
QPAS-36	36"	Single	Plywood Core	412.50	82
QPAD-36	36"	Double	Plywood Core	662.50	113
QPAS-42	42"	Single	Plywood Core	465.00	92
QPAD-42	42"	Double	Plywood Core	765.00	124

- Ships 10 business days from acknowledgement date (on credit approved orders).
- Length 46" only for additional lengths/colors refer to the plain back booth on page 28.
- Available only in the following Enduratex Armada (formerly Spradling Floridian) vinyl selections:
 - Black: Tsunami ARM-126-M (was FLR-10 Black)
 - Red: Portside ARM-114-M (was FLR-22 Carmine Red)
 - Deep Red: Red Sail ARM-116-M (was FLR-30 Red Wine)
 - Blue: Baltic ARM-101-M (was FLR-43 Normandy Blue)
- Seat Construction Options:
 - Econo-line Series Standard: Includes ATS high-quality quad-wire interlocked sinuous springs on a hardwood frame.
 - Econo-line Series Plywood: Double-molded foam wrapped seats on a plywood base.

ATS ECONO-LINE™ REVERSIBLE TOPS

One Top with Two Color Choices - Save \$\$ on Inventory!

Faster shipment, economical quality



Available in
O/W: (Oak over Walnut) or
B/DM: (Black over Dark Mahogany)
Black Vinyl T-Mold Edge

Size	Model #	Model#	Quantity		Weight Lbs
			1-49 List \$	50+ List \$	
24 x 24 †	C2424-B/DM	C2424-O/W	47.50	42.50	17
24 x 30	C2430-B/DM	C2430-O/W	52.50	47.50	21
24 x 42	C2442-B/DM	C2442-O/W	72.50	67.50	30
24 x 45 †	C2445-B/DM	C2445-O/W	72.50	67.50	32
24 X 48 †	C2448-B/DM	C2448-O/W	72.50	67.50	34
24 x 60 †	C2460-B/DM	C2460-O/W	90.00	80.00	39
30 x 30	C3030-B/DM	C3030-O/W	55.00	50.00	26
30 x 42	C3042-B/DM	C3042-O/W	92.50	82.50	37
30 x 45	C3045-B/DM	C3045-O/W	92.50	82.50	38
30 x 48	C3048-B/DM	C3048-O/W	92.50	82.50	40
30 x 60	C3060-B/DM	C3060-O/W	127.50	115.00	53
30 x 72 †	C3072-B/DM	C3072-O/W	135.00	125.00	54
36 x 36	C3636-B/DM	C3636-O/W	112.50	102.50	38
42 x 42 †	C4242-B/DM	C4242-O/W	162.50	147.50	42
42 x 42 BC *†	C4242BC-B/DM	C4242BC-O/W	212.50	195.00	42

24" R	C24-B/DM	C24-O/W	47.50	42.50	13
30" R	C30-B/DM	C30-O/W	55.00	50.00	16
36" R	C36-B/DM	C36-O/W	112.50	102.50	29
42" R †	C42-B/DM	C42-O/W	162.50	147.50	31
48" R †	C48-B/DM	C48-O/W	170.00	155.00	54
60" R †	C60-B/DM	C60-O/W	207.50	187.50	63

- Refer to pages 58-59 for base options.
- † Non-standard sizes, Call for exact lead time.
- * Special corner booth cut.

ATS ECONO-LINE™ RESIN TABLE TOPS

Super High Gloss Table Tops

Faster shipment, economical quality



M-Mahogany



C-Cherry



W-Walnut



NW-Natural / Walnut



CM-Cherry / Mahogany

Please note that due to the nature of super high-gloss finishes, these tops are more prone to scratches and scuffing over time. China with unglazed feet may scratch the surface.

Size	Model #	Single Color List \$	Two Tone List \$	Weight Lbs
24 X 24	ATR2424	103.00	119.00	14
24 X 30	ATR2430	129.00	149.00	22
24 X 45	ATR2445	181.00	208.00	37
30 X 30	ATR3030	155.00	179.00	29
30 X 45	ATR3045	191.00	220.00	47
30 X 48	ATR3048	206.00	237.00	48
30 X 60	ATR3060	299.00	345.00	62
30 X 72	ATR3072	361.00	416.00	67
36 X 36	ATR3636	186.00	214.00	40
42 X 42	ATR4242	376.00	433.00	57
24 Round	ATR24	140.00	160.00	17
30 Round	ATR30	165.00	190.00	25
36 Round	ATR36	206.00	237.00	33
48 Round	ATR48	284.00	326.00	60
60 Round	ATR60	412.00	474.00	110

- Refer to page 51 for ordering options and additional specifications.
- Refer to pages 58-59 for base options.
- Single Color Suffix: C-Cherry M-Mahogany W-Walnut.
- Two-Tone Color Suffix: C/M-Cherry/Mahogany N/W-Natural/Walnut.
- 2" Thick, waterfall drop edge.



Resin top back includes built-in mounting plate for bases.

WOOD CHAIRS & BARSTOOLS

Wood Chair/Barstool Index by Model:

MODEL # - WOOD	PAGE	MODEL # - WOOD	PAGE
521-----	16	830 -----	14
523-----	16	880 -----	14
524-----	15		
525-----	16	850 -----	15
527-----	15	900 -----	15
528-----	16	930 -----	14
935-----	14		
534-----	17	P821 -----	8
535-----	17	P830 -----	8
536-----	17	P880 -----	8
537-----	17	P935 -----	8
538-----	17		

Seats:

- Solid wood saddle seats are .75 to 1 inch thick depending on model.
- Veneer seats are .5 inches thick veneer finished layered plywood.
- Black Vinyl Seats include 1.75 inches of foam standard.
- GR4-GR16 seats include 2 inches of foam standard.

Material (COM) Yardage Requirements:

- A minimum of .75 of a yard (plain material) required for an upholstered seat.
- 2 chair or barstool seats can be upholstered with .75 of a yard.
- Striped or matched patterns may require additional yardage.

Dimension / Height:

- For chairs, the floor to seat top (including glide) is approximately 18".
- For barstools, the floor to seat top (including the glide) is approximately 30".
- Note that the height measurements vary depending on seat style, padding and glide type used.

Wood Species & Finishes:

- The wood species for our standard chairs and barstools shown on pages 14-17 is high quality beech wood (hardwood).
- Econo-line chairs and barstools shown on pages 8-9 are constructed of various Asian hardwoods.
- Standard finishes include: N-Natural, C-Cherry, DM-Dark Mahogany, W-Walnut and B-Black unless otherwise noted.

California Technical Bulletin #133 Option:

- Add \$37.50 per chair/bar upholstered seat to meet California Technical Bulletin #133, if specified.
- Exceptions: CAL133 option not available on BVS seats, or SR swivel barstools.

Brass and Chrome Foot Plate Option:

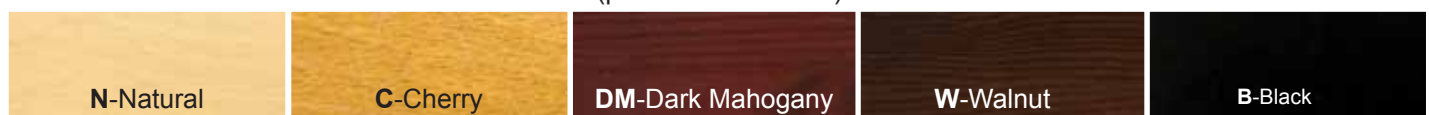
- Optional brass or chrome foot plates available on most wood barstool models, add \$25.00 each.

Optional seat Backer Sheet:

- Underside of upholstered seats are unfinished as standard.
- Add \$12.50 per seat to include fabric underside backer sheet.



Beech Wood (premium hardwood) Color Guide



Note: Colors may vary up to 5% in shade and hue.

European Beech Wood Chairs & Barstools



Model #	Grade 4 /COM List \$	Grade 5 Uphol. List \$	Grade 6 Uphol. List \$	Grade 7 Uphol. List \$	Grade 8 Uphol. List \$	Veneer Wood Seat \$	Solid Wood Seat \$	Size/Inches	Weight Lbs
830	165.00	172.50	180.00	192.50	200.00	-	165.00	35" x 17½" x 16½"	14 / 17*
830-BS	197.50	205.00	215.00	222.50	232.50	-	197.50	44" x 17½" x 16½"	21 / 24*
930	180.00	190.00	200.00	207.00	215.00	-	180.00	35" x 18" x 17"	17 / 20*
930-BS	197.50	215.00	222.50	232.50	240.00	-	197.50	44" x 18" x 17"	19 / 22*
930-BSS	297.50	307.50	315.00	325.00	332.50	-	297.50	42½" x 19" x 18"	28 / 31*
880	145.00	154.00	162.00	171.00	180.00	166.00	194.00	33" x 7" x 17"	15 / 18*
880-BS	175.00	183.00	192.00	199.00	208.00	205.00	232.00	44" x 17" x 17"	19 / 22*
935 **	180.00	190.00	200.00	207.00	215.00	-	180.00	35" x 18" x 17"	17 / 20*
935-BS **	197.50	215.00	222.50	232.50	240.00	-	197.50	44" x 18" x 17"	19 / 22*
935-BSS **	297.50	307.50	315.00	325.00	332.50	-	297.50	42½" x 19" x 18"	28 / 31*

- Refer to page 13 for ordering options and additional specifications.
- Finish Codes: N-Natural C-Cherry DM-Dark Mahogany W-Walnut B-Black.
- * Weight with solid wood seat (3 pounds heavier than upholstered seat).
- ** Wood Species: Oak

European Beech Wood Chairs & Barstools

900-BS
N, C, DM, W



900
N, C, DM, W



524
N, C, DM, W



524-BS
N, C, DM, W



850-BS
N, DM, W, B



850
N, DM, W, B



527-BS
N, C, DM



527
N, C, DM



Model #	Grade 4 /COM List \$	Grade 5 Uphol. List \$	Grade 6 Uphol. List \$	Grade 7 Uphol. List \$	Grade 8 Uphol. List \$	Veneer Wood Seat \$	Solid Wood Seat \$	Size/Inches	Weight Lbs
900	190.00	197.50	205.00	215.00	222.50	172.50	200.00	H 34 W 16 D 17	15 / 18*
900-BS	227.50	235.00	245.00	252.50	265.00	210.00	240.00	H 44 W 16 D 17	19 / 22*
850	112.50	122.50	132.50	142.50	150.00	112.50	-	H 31 W 15 D 15	11
850-BS	156.00	165.00	174.00	182.00	191.00	156.00	-	H 42 W 15 D 15	14
524	195.00	205.00	212.50	220.00	230.00	180.00	-	H 33 W 17½ D 16½	17
524-BS	235.00	242.50	250.00	262.50	272.50	217.50	-	H 44 W 17½ D 16½	19
527	177.50	187.50	197.50	205.00	212.50	-	187.50	H 36 W 19 D 17	16 / 19*
527-BS	217.50	225.00	232.50	242.50	252.50	-	227.50	H 44 W 18 D 16	19 / 22*

- Refer to page 13 for ordering options and additional specifications.
- Finish Codes: N-Natural C-Cherry DM-Dark Mahogany W-Walnut B-Black.
- * Weight with solid wood seat (3 pounds heavier than upholstered seat).

European Beech Wood Chairs & Barstools

525
N, C, DM, W



525-BS
N, C, DM, W



523-BS
N, C, DM, W



523
N, C, DM, W



521
N, C, DM,



521-BS
N, C, DM,

528-BS
N, C, DM



528
N, C, DM



Model #	Grade 4 /COM List \$	Grade 5 Uphol. List \$	Grade 6 Uphol. List \$	Grade 7 Uphol. List \$	Grade 8 Uphol. List \$	Veneer Wood Seat \$	Solid Wood Seat \$	Size/Inches	Weight Lbs
525	195.00	205.00	212.50	220.00	230.00	180.00	205.00	33" x 17" x 17"	15 / 18*
525-BS	235.00	242.50	250.00	262.50	272.50	217.50	245.00	44" x 17" x 17"	19 / 22*
523	195.00	205.00	212.50	220.00	230.00	180.00	205.00	34" x 17" x 17"	17 / 20*
523-BS	235.00	242.50	250.00	262.50	272.50	217.50	245.00	44" x 17" x 17"	19 / 22*
521	195.00	205.00	212.50	220.00	230.00	180.00	205.00	33" x 17" x 16"	17 / 20*
521-BS	235.00	242.50	250.00	262.50	272.50	217.50	245.00	43" x 17" x 16"	23 / 26*
528	177.50	187.50	197.50	205.00	212.50	-	187.50	36" x 19" x 17"	16 / 18*
528-BS	217.50	225.00	235.00	242.50	252.50	-	227.50	44" x 18" x 16"	19 / 22*

- Refer to page 13 for ordering options and additional specifications.
- Finish Codes: N-Natural C-Cherry DM-Dark Mahogany W-Walnut B-Black.
- * Weight with solid wood seat (3 pounds heavier than upholstered seat).

European Beech Wood Chairs & Barstools

534
Dark Mahogany



534
Dark Mahogany



535
Dark Mahogany



535-BS
Dark Mahogany



536
W, DM



536-BS
W, DM

537
C, DM



537-BS
Cherry ONLY



538
Dark Mahogany



538
Dark Mahogany

Model #	Grade 4 /COM List \$	Grade 5 Uphol. List \$	Grade 6 Uphol. List \$	Grade 7 Uphol. List \$	Grade 8 Uphol. List \$	Veneer Wood Seat \$	Solid Wood Seat \$	Size/Inches	Weight Lbs
534	210.00	219.00	228.00	237.00	246.00	-	-	H 35 W 17½ H 21½	17
534-BS	240.00	249.00	258.00	267.00	276.00	-	-	H 42½ W 17 H 20	19
535	195.00	205.00	212.50	220.00	230.00	180.00	205.00	H 34 W 17 H 18½	17 / 20*
535-BS	235.00	242.50	250.00	262.50	272.50	217.50	245.00	H 43½ W 17 H 20	19 / 22*
536	195.00	205.00	212.50	220.00	230.00	-	-	H 35 W 18½ H 20½	17
536-BS	235.00	242.50	250.00	262.50	272.50	-	-	H 42½ W 18 H 20½	19
537	195.00	205.00	212.50	220.00	230.00	-	-	H 34½ W 16½ H 21	17
537-BS	235.00	242.50	250.00	262.50	272.50	-	-	H 42 W 16½ H 19½	19
538	195.00	205.00	212.50	220.00	230.00	-	-	H 34½ W 17 H 20	17
538-BS	235.00	242.50	250.00	262.50	272.50	-	-	H 44½ W 17 H 21	19

- Refer to page 13 for ordering options and additional specifications.
- Finish Codes: N-Natural C-Cherry DM-Dark Mahogany W-Walnut B-Black.
- * Weight with solid wood seat (3 pounds heavier than upholstered seat).

METAL CHAIRS & BARSTOOLS

Metal Chair/Barstool Index by Model:

MODEL # - METAL	PAGE	MODEL # - METAL	PAGE
22 -----	21	77P -----	20
72 -----	20	78 -----	19
74 -----	9	85 -----	19
		87 -----	19
76 -----	21	Aluminum Furniture -----	23
77 -----	19	Outdoor Furniture -----	24
77A -----	20	SR Series Barstools -----	22
77B -----	20		
77C -----	19		

Packaging & Shipping (Standard):

- Carton size is 20 x 20 x 48. - 2 chairs per carton (16/pallet), 1 barstool per carton (8/pallet), 3 high chairs per carton.
- Note: Aluminum are 6 barstools per pallet, and 24 chairs per pallet.
- Common carriers (LTL) are pallet loaded, dedicated trucks are floor loaded.
- Add 40 pounds per pallet when pricing freight. Maximum 7 pallets per LTL shipment.

Seats:

- Solid wood saddle seats are .75 to 1 inch thick depending on model.
- Veneer seats are .5 inches thick veneer finished layered plywood.
- Black Vinyl Seats include 1.75 inches of foam standard.
- GR4-GR16 seats include 2 inches of foam standard.

Welded Metal Chairs and Barstools:

The following models are constructed with square metal tubing, with black texture powder coat finish:

- 72, 77, 77A, 77B, 77P, 78, 85, 87

The following model is constructed of 1-1/4" square metal tubing, with clear coat finish:

- 77C

The following models are constructed of 1-1/4" round metal tubing, with black texture powder coat finish:

- 76,

The following models are constructed of 1" round chrome plated steel tubing:

- 22

SR Series Swivel Barstools:

- Double Ring Base: Constructed of 1" chrome plated round steel tubing.
- Black Cross-over Base: Constructed of round tapered tubing with black enamel finish.
- Swivel: SR-2 & SR-8 barstools have a flat swivel. SR-4, SR-5, SR-7, SR-9 have a 3° pitch swivel.

22-VN:

- Seat is single color. Add \$20.00 per chair for old style 2-tone, 3-panel seat.

77A, 77B, 77P:

- Standard wood back is Natural finish.
- Dark Mahogany, Cherry, Walnut, & Black finishes available, \$15.00 Upcharge.

Optional seat Backs Sheet:

- Underside of upholstered seats are unfinished as standard.
- Add \$12.80 per seat to include fabric underside back sheet.

TIP

A low cost alternative (DM back) to the 77A, is the 74 on page 9.

NOTE: See Page 13 for additional standard chair and barstool notes (dimension/height, finishes, Cal 133).

Metal Chairs & Barstools



Model #	Black Vinyl List \$	Grade 4 /COM List \$	Grade 5 Uphol. List \$	Grade 6 Uphol. List \$	Grade 7 Uphol. List \$	Grade 8 Uphol. List \$	Veneer Wood Seat \$	Solid Wood Seat \$	Size/Inches	Weight Lbs
77	90.00	99.00	108.00	117.00	126.00	135.00	107.50	129.00	32" x 17" x 18"	19 / 22*
77-BS	127.50	136.50	145.50	154.50	163.50	172.50	145.00	166.50	42" x 17" x 20"	23 / 26*
77-BSS	170.00	179.00	188.00	197.00	206.00	215.00	187.50	209.00	44" x 17" x 17½"	30 / 33*
77C	117.50	126.50	135.50	144.50	153.50	162.50	135.00	156.50	32" x 17" x 17½"	19 / 22*
77C-BS	165.00	174.00	183.00	192.00	201.00	210.00	182.50	204.00	41" x 17" x 17½"	23 / 26*
78	90.00	99.00	108.00	117.00	126.00	135.00	107.50	129.00	32" x 17" x 17"	19 / 22*
78-BS	127.50	136.50	145.50	154.50	163.50	172.50	145.00	166.50	41" x 17" x 17"	23 / 26*
87	95.00	110.00	118.00	126.00	134.00	142.00	123.00	148.00	34" x 17" x 16"	19 / 22*
87-BS	120.00	135.00	143.00	151.00	159.00	167.00	148.00	173.00	41½" x 17" x 16"	23 / 26*
85	95.00	110.00	118.00	126.00	134.00	142.00	123.00	148.00	34" x 17" x 16"	19 / 22*
85-BS	120.00	135.00	143.00	151.00	159.00	167.00	148.00	173.00	41" x 17" x 16"	23 / 26*

- Refer to pages 18 and 13 for ordering options and additional specifications.
- * Weight with solid wood seat (3 pounds heavier than upholstered seat).

Metal Chairs & Barstools



Model #	Black Vinyl List \$	Grade 4 /COM List \$	Grade 5 Uphol. List \$	Grade 6 Uphol. List \$	Grade 7 Uphol. List \$	Grade 8 Uphol. List \$	Veneer Wood Seat \$	Solid Wood Seat \$	Size/Inches	Weight Lbs
77A	145.00	167.50	177.50	185.00	195.00	202.50	150.00	180.00	32" x 17" x 17"	19 / 22*
77A-BS	205.00	222.50	232.50	240.00	250.00	260.00	205.00	235.00	41" x 17" x 17"	23 / 26*
77B	138.00	162.00	171.00	180.00	189.00	197.00	145.00	173.00	32" x 17" x 17"	19 / 22*
77B-BS	200.00	217.00	227.00	235.00	244.00	252.00	200.00	229.00	41" x 17" x 17"	23 / 26*
77P	138.00	162.00	171.00	180.00	189.00	197.00	145.00	173.00	32" x 17" x 17"	19 / 22*
77P-BS	200.00	217.00	226.00	235.00	244.00	253.00	200.00	229.00	41" x 17" x 17"	23 / 26*
72	142.50	152.50	162.50	170.00	180.00	190.00	150.00	-	33" x 16" x 16"	19
72-BS	195.00	205.00	215.00	225.00	232.50	242.50	200.00	-	43" x 16½" x 17"	23

- Refer to pages 18 and 13 for ordering options and additional specifications.
- Finish Codes: N-Natural.
- Standard wood color is Natural, add \$15.00 for Dark Mahogany, Cherry, or Walnut finishes (Except 72).
- * Weight with solid wood seat (3 pounds heavier than upholstered seat)

Metal Chairs & Barstools



76



76-BS



22-VN



Optional
3 Panel Seat
See page.18

22

22-STAR



Model #	Black Vinyl List \$	Grade 4 /COM List \$	Grade 5 Uph. List \$	Grade 6 Uph. List \$	Grade 7 Uph. List \$	Grade 8 Uph. List \$	Size/Inches	Weight Lbs
76	78.00	93.00	102.00	110.00	120.00	128.00	32" x 17" x 17"	15
76-BS	111.00	126.00	136.00	144.00	153.00	161.00	41" x 17" x 17"	18
22	-	111.00	125.00	139.00	152.00	160.00	30½" x 15" x 15"	14
22-STAR	-	134.00	147.00	161.00	174.00	182.00	30½" x 15" x 15"	14
22-VN	-	134.00	147.00	161.00	174.00	182.00	30½" x 15" x 15"	14

• Refer to pages 18 and 13 for ordering options and additional specifications.

Swivel Barstool Collection

SR-2



SR-4



SR-5



SR-9J
(jumbo)



SR-7



SR-4J
(jumbo)



SR-5J
(jumbo)



SR-8



Model #	Black Vinyl List \$	Grad 4 /COM List \$	Grade 5 Uphol. List \$	Grade 6 Uphol. List \$	Grade 7 Uphol. List \$	Grade 8 Uphol. List \$	Size/Inches	Weight Lbs
SR-2	82.50	97.50	107.50	117.50	125.00	135.00	30" H x 14" W x 14" D	18
SR-4	128.00	-	-	-	-	-	42" H x 17" W x 17" D	26
SR-5	128.00	-	-	-	-	-	42" H x 17" W x 17" D	27
SR-4J	140.50	-	-	-	-	-	42" H x 19" W x 18" D	28
SR-5J	140.50	-	-	-	-	-	42" H x 19" W x 18" D	29
SR-7	115.00	145.00	162.50	180.00	195.00	212.50	42" H x 15" W x 17" D	18
SR-8	-	127.50	137.50	147.50	155.00	165.00	31" H x 15" W x 15" D	18
SR-9J	147.50	-	-	-	-	-	42" H x 19" W x 18" D	32

- Refer to pages 18 and 13 for ordering options and additional specifications.
- SR-4J, SR-5J & SR-9J available in Red Wine Seat.

Aluminum Furniture



Model #	Description	List \$	Weight Lbs
55 *	Aluminum Chair with Slat Back & Seat	99.00	7
55-BS *	Aluminum Barstool with Slat Back & Seat	137.00	10
56 *	Aluminum Chair with Synthetic Bamboo in Natural Finish	99.00	7
56-BS *	Aluminum Barstool with Synthetic Bamboo in Natural Finish	137.00	10
57	Aluminum Chair with Slat Back & Solid Seat	197.00	7
57-BS	Aluminum Barstool with Slat Back & Solid Seat	246.00	11
AL30 *	27.5" Round Top, Standard Height Column	252.00	34
AL3030 *	27.5" X 27.5" Square Top, Std Height Column	252.00	34

- Refer to pages 18 and 13 for ordering options and additional specifications.
- * Not recommended for Outdoor Use

Outdoor Furniture



Model #	Description	List \$	Weight Lbs
90B	Black Metal Powder Coated Mesh Outdoor Chair	112.50	13
ALM3030	30" X 30" Mesh Top / Powder Coat Black Outdoor Table with Umbrella Hole, Standard Height	128.75	25
ALM3636	36" X 36" Mesh Top / Powder Coat Black Outdoor Table with Umbrella Hole, Standard Height	161.25	29
ALM3048	30" X 48" Mesh Top / Powder Coat Black Outdoor Table with Umbrella Hole, Standard Height	182.50	29
ALM30	30" Round Mesh Top / Powder Coat Black Outdoor Table with Umbrella Hole, Standard Height	128.75	22
ALM36	36" Round Mesh Top / Powder Coat Black Outdoor Table with Umbrella Hole, Standard Height	161.25	25
UMB-GRN	9' Green Fabric Umbrella with Cast Concrete Weighted Base	422.50	69

BOOTHS

Booth Specifications

Packaging & Shipping (Standard):

- Standard Booth: 4 single or 2 single plus 1 double per pallet.
- Standard Wood Booth: 2 single or 1 double per pallet (no stacking).
- 1/2 Circle: 2 pallets each (Standard Size).
- 3/4 Circle: 3 pallets each (Standard Size).
- Add 40 pounds per pallet when pricing freight. Maximum 6 pallets per LTL shipment.

TIP

To save \$\$ on large orders, use multiple LTL split shipments rather than dedicated trucks.

Standard ATS Booth Construction:

- Heavy duty poplar hardwood frame, reinforced with fastened and glued corner blocks.
- Double layered vertical reinforced construction.
- Sinuous spring seat with steel attachments and heavy duty connecting links.
- Removable seats (except in circle booths or corner units).
- Black vinyl kick plate.

Standard ATS Booth Dimensions:

- **Note: Dimensions will vary up to 1" due to differences in foam and coverings.**
- Back Height from floor to top of booth is 36".
- Seat Depth is 19".
- Kick Plate (including glide) is 5" high.
- Single depth from back to front most point is 23"
- Double depth from backmost to front most point is 43".
- Wall Benches are sold by foot.

Standard ATS Booth Lengths:

- Standard booth length is 46" (45.5" actual upholstered)
- Deuce booth length is 30".
- 1/2 circle measures 46" x 88" x 46".
- 3/4 circle measures 46" x 88" x 88" x 46".

Solid Wood Components:

- Exterior wood components are Oak standard.
- Interior wood components are poplar and industrial furniture grade engineered wood.

Standard Wood Finish:

The following finishes are available on wood booths and appropriate booth options: (custom finishes available)

- **C** – Cherry
- **DM** – Dark Mahogany
- **N** – Natural
- **W** – Walnut

Common Carrier Shipping:

- 46" is the maximum standard width and length.
- 72" is the maximum shippable length by common carrier.

Custom Materials, Finishes and Designs:

- ATS welcomes all custom requests.
- COM (Customer's Own Material) is priced as GR4.
- Custom stains are priced by the job, please contact ATS sales for information.
- Custom designs are priced by the job, please contact ATS sales for information.

Component / Parts Purchases:

- Replacement seats, top and end caps may be purchased separately. See page 62.



Booth Options (see page 27-28 for option details)

Nonstandard Lengths - Single or Double:

- 12" to 30" - Standard 30" Deuce Rate
- 31" to 46" - Standard 46" Booth Rate
- 47" to 48" - Add 10% to Standard 46" Booth Rate.
- 49" to 54" - Add 20% to Standard 46" Booth Rate.
- 55" to 60" - Add 40% to Standard 46" Booth Rate.
- 61" to 66" - Add 50% to Standard 46" Booth Rate.
- 67" to 72" - Add 60% to Standard 46" Booth Rate.

Non-Standard Lengths - Circle Booths.

- Non-standard sized 1/2 and 3/4 circle booths should be priced as wall benches with corners.
- 1/2 Circle, non-standard lengths are priced as a wall bench with 2 corners. Returns are finished at no extra cost.
- 3/4 Circle, non-standard lengths are priced as a wall bench with 3 corners. Returns are finished at no extra cost.

Booth Options: Linear	46" Single	46" Double	Deuce Single	Deuce Double	1/2 Circle	3/4 Circle	Wall Bench
Finished Outside Back	-	-	-	-	10 %	10 %	10 %
Head Roll	100	200	73	143	383	563	28 /FT
Pull Over Seat Back Style	100	200	73	143	-	-	28 /FT
Crumb Strip - Upholstered	60	118	55	105	438	668	20 /FT
Crumb Strip - Laminate	120	240	102	204	788	1200	30 /FT
Top Cap - Finished Wood	60	60	43	43	228	335	18 /FT
Top Cap - Laminate	100	100	85	85	315	570	30 /FT
Seat Base - Finished Wood	100	130	80	112	240	350	25 /FT
Seat Base - Laminate	200	260	160	224	480	720	50 /FT
Kick Plate - ABS Smooth Rubber	50	115	40	56	120	175	14 /FT
Kick Plate - ABS Textured Plastic	100	230	80	112	240	350	25 /FT
Bar Height Seat (30", no foot rail)	30%	30%	30%	30%	30%	30%	30%
Wood Foot Shelf (for bar height)	60	120	51	60	225	335	15 /FT
Brass Foot Rail (for bar height)	645	1,290	470	920	2,390	3,590	162 /FT
Cal 133 Specification	111	222	100	201	418	640	28 /FT
End Caps - Wood (Each)	65	83	65	83	65	65	65
End Caps - Laminate (Each)	100	200	100	200	100	100	100
Legs - Wood (Each)	62.5	62.5	62.5	62.5	62.5	62.5	62.5
Legs - S/S (Standard, Each)	50	50	50	50	50	50	50
Legs - S/S (Premium, Each)	80	80	80	80	80	80	80
Corner - 90 Degree (Each)	-	-	-	-	-	-	315
Corner - Non 90 Degree (Ea.)	-	-	-	-	-	-	475
1/2 Radius (Seat & Back)	-	-	-	-	50%	50%	50%
Full Radius (Seat & Outside)	-	-	-	-	100%	100%	100%

Back Pad Options (Asian, Charleston & Bead Board Back Booths)

46-48" Booth	Back / EA	72" Booth	Back / EA	Per Ft.	Back / EA
GR 4 Pad	47.50	GR 4 Pad	77.50	GR 4 Pad	12.00
GR 5 Pad	70.00	GR 5 Pad	100.00	GR 5 Pad	18.00
GR 6 Pad	82.50	GR 6 Pad	112.50	GR 6 Pad	21.00
GR 7 Pad	92.50	GR 7 Pad	122.50	GR 7 Pad	23.50
GR 8 Pad	102.50	GR 8 Pad	132.50	GR 8 Pad	26.00



Optional Back Pad

Booth Options Notes

Finished Outside Backs:

- All ½ and ¾ circle booths have outside **upholstered finished backs** on the returns (only), standard.
- Upholstered Single and Single duces have outside finished backs, standard.
- Wall bench outside backs are NOT finished.

Head Roll:

- Standard Head Roll is horizontal, 6" tall

Crumb Strips:

- Included standard on Alex style booths only.
- Crumb Strips are 1 1/2" inch deep.



Head Roll Option



Crumb Strip Option

Top and End Caps:

- Booths include top and both end caps as standard.
- Upcharges apply for any optional wood or laminate top and end caps.

Bar Height Options:

- All booths and wait benches can be extended to a 30" seat height (addition of 11" in base).
- Foot rest/rail not included.
- Genuine brass rail (pre-attached) or wood topped foot rest options are available.
- Top of rail / rest is 12" from floor.



Bar Height Option



Brass Foot Rail Option



Wood Foot Shelf Option

California Tech Bulletin #133

- Standard ATS construction meets CAL 117 standards.
- CAL 133 fire code specification is optional.

Laminate Based Options

- Laminate option prices shown are based on standard Wisonart laminate (suffix of -38, -60).
- For all other laminates, contact ATS sales for the correct pricing.

Pull Over Style Seat Back:

- Pull over style seat back does not have a top cap.

Multiple Colors:

- No additional charge for multiple colors.
- Booth Grading is based on the average between highest and lowest grade.



Pull Over Seat Back Option

Legs

- Legs are available to replace the bottom kick plate section.
- 4 Legs required per standard single booth.
- 6 legs per standard double booth.
- Legs are available in two stainless steel and one wood variety.
- Contemporary wood legs are not tapered unless requested.

Corners:

- 90 Degree corners are standard.
- Any degree corner can be specified, additional charges apply.

Radius Back & Seat - ½ & ¾ Circle & Wall Bench Corner Booths:

- Radius Seat – Add 50% after calculating length surcharges.
- Radius Seat & Outside Back – Add 100% after calculating length surcharges.

Single Booth Attached to ½ & ¾ Circle:

- If a single is to be attached to the return of a ½ or ¾ circle booth, it must be specified on your purchase order.



Optional Wood Legs



Optional S/S Legs



Optional Premium S/S Legs

Specific Booth Styles Notes

Upholstered, 3-Channel, 6-Channel, 12-Channel, Horizontal Channel:

- Inside back may incorporate alternating colors at no extra charge.
- Channel widths on a standard 46" booth are 3 x 14.7", 6 x 7.3", 12 x 3.7"
- Upholstered outside back on single booths and returns on circles is standard.

Upholstered, Button Tufted:

- All buttons are upholstered with inside back material, unless otherwise specified.
- Diamond tufted pattern is standard.
- Upholstered outside back on single booths and returns on circles is standard.

Upholstered, Fan Back:

- Upholstered top caps only.
- Booth height is measured from floor to top of arc.
- Upholstered outside back on single booths and returns on circles is standard.

Upholstered, Biltmore:

- Pullover seat back is standard.
- Includes advanced Dymotrol® web, removable seating base in lieu of sineous spring base.
- Upholstered outside back on single booths and returns on circles is standard.

Alex, Upholstered:

- All components of booth upholstered as standard
- Upholstered crumb strip is standard.
- Upholstered outside back on single booths and returns on circles is standard.

Alex, Laminate:

- Top cap, end caps, seat base, vertical portion of inside back, and crumb strip are laminated as standard.
- Laminated crumb strip is standard.
- Upholstered outside back on single booths and returns on circles is standard.

Alex, Wood:

- Top cap, end caps, seat base, vertical portion of inside back, laminated crumb strip included and crumb strip have wood as standard.
- Wood crumb strip is standard.
- Standard wood finishes: **N**-Natural, **C**-Cherry, **DM**-Dark Mahogany, **W**-Walnut.
- Custom wood finishes available.
- Upholstered outside back on single booths and returns on circles is standard

Wood, Asian Import:

- Optional seat back pad is available.
- Available finishes: Cherry & Dark Mahogany only.
- No custom sizes or shapes are available.
- Wood species: Asian hardwood.
- Finished wood outside back on single booths is standard.

Wood, Standard Seat & Platform Seat (Plain Back):

- ATS standard seat construction: 90° square with a 45° corner connection (See page 7).
- Standard wood finishes: **N**-Natural, **C**-Cherry, **DM**-Dark Mahogany, **W**-Walnut.
- Custom wood finishes available.
- 1.75" Crumb Strip is standard on the standard seat wood booth.
- Top cap, end caps, seat base, outside back, and inside back have smooth wood as standard.
- Upholstered outside back on single booths and returns on circles is standard.
- Back pad is included.

Wood, Standard Seat & Platform Seat (Bead Board Back):

- ATS standard seat construction: 90° square with a 45° corner connection (See page 7).
- Standard wood finishes: **N**-Natural, **C**-Cherry, **DM**-Dark Mahogany, **W**-Walnut.
- Custom wood finishes available.
- 1.75" Crumb Strip is standard on the standard wood booth seat.
- Top cap, end caps, seat base, outside back, and inside back with smooth wood is standard.
- Upholstered outside back on single booths and returns on circles is standard.
- Inside back with horizontal bead board (no pad) as standard.

Wood, Charleston:

- Standard wood finishes: **N**-Natural, **C**-Cherry, **DM**-Dark Mahogany, **W**-Walnut.
- Custom wood finishes available.
- Finished wood outside back on single booths and returns on circles is standard.
- Engraving or grooved lines are available at an additional charge.
- Optional seat back pad available.
- Wood species: Premium wood veneer.

Wood, Contemporary:

- Standard wood finishes: **N**-Natural, **C**-Cherry, **DM**-Dark Mahogany, **W**-Walnut.
- Custom wood finishes available.
- Wood leg size: 3" X 3" X 10".
Seat size: 6" X 19-3/4" X 46".
- Finished wood outside back on single booths and returns on circles is standard.
- Seat pad and back pad are standard.

Upholstered Booths - Standard

Plain Back



AS-36



AD-36



AS-36-1/2

Shown with optional crumb strip.
-see page 26

Model #	Type of Booth	GR4 / COM List \$	Grade 5 List \$	Grade 6 List \$	Grade 7 List \$	Grade 8 List \$	Wt Lbs
36" Height							
AS-36	Single	525.00	555.00	585.00	612.50	645.00	74
AD-36	Double	872.50	912.50	962.50	1015.00	1065.00	103
AS-36-D	Deuce Single	490.00	517.50	542.50	570.00	597.50	46
AD-36-D	Deuce Double	807.50	855.00	900.00	947.50	995.00	69
AS-36-1/2	1/2 Circle	2069.00	2186.00	2304.00	2420.00	2537.00	250
AS-36-3/4	3/4 Circle	2898.00	3061.00	3224.00	3388.00	3551.00	420
AS-36-Wall	Wall Bench (Per Linear Foot)	138.00	146.00	154.00	162.00	170.00	27
42" Height							
AS-42	Single	602.50	630.00	660.00	692.50	720.00	88
AD-42	Double	992.50	1047.50	1105.00	1162.50	1217.50	108
AS-42-D	Deuce Single	562.50	590.00	617.50	645.00	672.50	53
AD-42-D	Deuce Double	927.50	980.00	1032.50	1082.50	1135.00	77
AS-42-1/2	1/2 Circle	2370.00	2537.00	2703.00	2871.00	3037.00	272
AS-42-3/4	3/4 Circle	3318.00	3551.00	3785.00	4019.00	4252.00	435
AS-42-Wall	Wall Bench (Per Linear Foot)	159.00	170.00	180.00	192.00	203.00	29
48" Height							
AS-48	Single	692.50	730.00	765.00	800.00	835.00	92
AD-48	Double	1175.00	1232.50	1287.50	1345.00	1402.50	140
AS-48-D	Deuce Single	647.50	682.50	715.00	747.50	780.00	72
AD-48-D	Deuce Double	1097.50	1150.00	1202.50	1255.00	1307.50	90
AS-48-1/2	1/2 Circle	2737.00	2920.00	3070.00	3238.00	3404.00	295
AS-48-3/4	3/4 Circle	3832.00	4089.00	4298.00	4533.00	4766.00	455
AS-48-Wall	Wall Bench (Per Linear Foot)	183.00	194.00	205.00	216.00	228.00	35

• Refer to pages 25 through 28 for ordering options and additional specifications.

Upholstered Booths - Standard

3-Channel Back



AS-483



AD-603 60"High



AS-483-3/4

Shown with optional
wood caps.
-see page 26

Model #	Type of Booth	GR4 / COM List \$	Grade 5 List \$	Grade 6 List \$	Grade 7 List \$	Grade 8 List \$	Wt Lbs
36" Height							
AS-363	Single	542.50	572.50	602.50	632.50	662.50	74
AD-363	Double	895.00	947.50	997.50	1047.50	1097.50	103
AS-363-D	Deuce Single	507.50	535.00	562.50	590.00	617.50	46
AD-363-D	Deuce Double	837.50	885.00	932.50	977.50	1025.00	69
AS-363-1/2	1/2 Circle	2154.00	2270.00	2387.00	2503.00	2620.00	250
AS-363-3/4	3/4 Circle	3014.00	3177.00	3342.00	3505.00	3668.00	420
AS-363-Wall	Wall Bench (Per Linear Foot)	144.00	152.00	160.00	167.00	175.00	27
42" Height							
AS-423	Single	625.00	660.00	700.00	735.00	770.00	88
AD-423	Double	1032.50	1087.50	1142.50	1200.00	1255.00	108
AS-423-D	Deuce Single	587.50	617.50	652.50	685.00	720.00	53
AD-423-D	Deuce Double	965.00	1017.50	1070.00	1120.00	1172.50	77
AS-423-1/2	1/2 Circle	2470.00	2637.00	2804.00	2971.00	3137.00	272
AS-423-3/4	3/4 Circle	3458.00	3691.00	3925.00	4159.00	4392.00	435
AS-423-Wall	Wall Bench (Per Linear Foot)	165.00	176.00	188.00	199.00	210.00	29
48" Height							
AS-483	Single	720.00	755.00	792.50	827.50	862.50	92
AD-483	Double	1222.50	1280.00	1335.00	1390.00	1445.00	140
AS-483-D	Deuce Single	675.00	707.50	740.00	772.50	807.50	72
AD-483-D	Deuce Double	1142.50	1195.00	1247.50	1297.50	1350.00	90
AS-483-1/2	1/2 Circle	2837.00	3003.00	3171.00	3337.00	3505.00	295
AS-483-3/4	3/4 Circle	3972.00	4206.00	4439.00	4672.00	4906.00	455
AS-483-Wall	Wall Bench (Per Linear Foot)	190.00	201.00	212.00	222.00	234.00	35

• Refer to pages 25 through 28 for ordering options and additional specifications.

Upholstered Booths - Standard

6-Channel Back



Shown with optional
crumb strip & head roll
-see page 26

Model #	Type of Booth	GR4 / COM List \$	Grade 5 List \$	Grade 6 List \$	Grade 7 List \$	Grade 8 List \$	Wt Lbs
36" Height							
AS-366	Single	600.00	627.50	657.50	687.50	717.50	74
AD-366	Double	1017.50	1067.50	1117.50	1167.50	1217.50	103
AS-366-D	Deuce Single	560.00	587.50	615.00	642.50	670.00	46
AD-366-D	Deuce Double	950.00	997.50	1045.00	1090.00	1137.50	69
AS-366-1/2	1/2 Circle	2370.00	2487.00	2604.00	2721.00	2837.00	250
AS-366-3/4	3/4 Circle	3318.00	3481.00	3645.00	3808.00	3972.00	420
AS-366-Wall	Wall Bench (Per Linear Foot)	159.00	166.00	174.00	181.00	190.00	27
42" Height							
AS-426	Single	690.00	725.00	762.50	797.50	832.50	88
AD-426	Double	1170.00	1227.50	1285.50	1337.50	1392.50	108
AS-426-D	Deuce Single	645.00	677.50	710.00	742.50	777.50	53
AD-426-D	Deuce Double	1095.00	1145.00	1197.50	1250.00	1300.00	77
AS-426-1/2	1/2 Circle	2721.00	2887.00	3054.00	3221.00	3388.00	272
AS-426-3/4	3/4 Circle	3808.00	4041.00	4276.00	4509.00	4742.00	435
AS-426-Wall	Wall Bench (Per Linear Foot)	181.00	193.00	204.00	215.00	227.00	29
48" Height							
AS-486	Single	792.50	830.00	865.00	900.00	935.00	92
AD-486	Double	1347.50	1402.50	1460.00	1517.50	1570.00	140
AS-486-D	Deuce Single	742.50	775.00	807.50	840.00	875.00	72
AD-486-D	Deuce Double	1257.50	1310.00	1360.00	1412.50	1465.00	90
AS-486-1/2	1/2 Circle	3137.00	3305.00	3471.00	3639.00	3805.00	295
AS-486-3/4	3/4 Circle	4392.00	4626.00	4860.00	5093.00	5327.00	455
AS-486-Wall	Wall Bench (Per Linear Foot)	210.00	220.00	232.00	243.00	254.00	35

• Refer to pages 25 through 28 for ordering options and additional specifications.

Upholstered Booths - Standard

Pattern Back



Model #	Type of Booth	GR4 / COM List \$	Grade 5 List \$	Grade 6 List \$	Grade 7 List \$	Grade 8 List \$	Wt Lbs
36" Height							
AS-36CN	Single	612.50	642.50	672.50	700.00	732.50	74
AD-36CN	Double	1037.50	1085.00	1137.50	1187.50	1237.50	103
AS-36CN-D	Deuce Single	570.00	597.50	625.00	652.50	680.00	46
AD-36CN-D	Deuce Double	967.50	1015.00	1062.50	1107.50	1157.50	69
AS-36CN-1/2	1/2 Circle	2403.00	2520.00	2637.00	2754.00	2871.00	250
AS-36CN-3/4	3/4 Circle	3364.00	3528.00	3691.00	3855.00	4019.00	420
AS-36CN-Wall	Wall Bench (Per Linear Foot)	168.00	175.00	181.00	193.00	202.00	27
42" Height							
AS-42CN	Single	702.50	737.50	775.00	810.00	845.00	88
AD-42CN	Double	1192.50	1250.00	1305.00	1360.00	1415.00	108
AS-42CN-D	Deuce Single	655.00	687.50	722.50	755.00	792.50	53
AD-42CN-D	Deuce Double	1112.50	1167.50	1217.50	1270.00	1322.50	77
AS-42CN-1/2	1/2 Circle	2770.00	2938.00	3104.00	3271.00	3438.00	272
AS-42CN-3/4	3/4 Circle	3878.00	4112.00	4346.00	4579.00	4812.00	435
AS-42CN-Wall	Wall Bench (Per Linear Foot)	197.00	202.00	212.00	220.00	237.00	29
48" Height							
AS-48CN	Single	807.50	845.00	882.50	917.50	950.00	92
AD-48CN	Double	1372.50	1430.00	1482.50	1540.00	1597.50	140
AS-48CN-D	Deuce Single	755.00	790.00	822.50	855.00	887.50	72
AD-48CN-D	Deuce Double	1282.50	1335.00	1385.00	1437.50	1490.00	90
AS-48CN-1/2	1/2 Circle	3187.00	3354.00	3521.00	3688.00	3855.00	295
AS-48CN-3/4	3/4 Circle	4463.00	4696.00	4929.00	5163.00	5397.00	455
AS-48CN-Wall	Wall Bench (Per Linear Foot)	224.00	237.00	245.00	257.00	273.00	35

• Refer to pages 25 through 28 for ordering options and additional specifications.

Upholstered Booths - Standard

Horizontal Channel Back



Model #	Type of Booth	GR4 / COM List \$	Grade 5 List \$	Grade 6 List \$	Grade 7 List \$	Grade 8 List \$	Wt Lbs
36" Height							
AS-36HO	Single	730.00	767.50	802.50	840.00	875.00	74
AD-36HO	Double	1237.50	1297.50	1352.50	1410.00	1467.50	103
AS-36HO-D	Deuce Single	682.50	715.00	747.50	782.50	817.50	46
AD-36HO-D	Deuce Double	1157.50	1210.00	1262.50	1315.00	1370.00	69
AS-36HO-1/2	1/2 Circle	3021.00	3181.00	3341.00	3501.00	3660.00	250
AS-36HO-3/4	3/4 Circle	4230.00	4453.00	4677.00	4901.00	5124.00	420
AS-36HO-Wall	Wall Bench (Per Linear Foot)	202.00	213.00	223.00	233.00	245.00	27
42" Height							
AS-42HO	Single	840.00	885.00	925.00	965.00	1010.00	88
AD-42HO	Double	1427.50	1490.00	1552.50	1615.00	1677.50	108
AS-42HO-D	Deuce Single	782.50	825.00	865.00	905.00	945.00	53
AD-42HO-D	Deuce Double	1330.00	1390.00	1447.50	1507.50	1567.50	77
AS-42HO-1/2	1/2 Circle	3465.00	3660.00	3856.00	4051.00	4247.00	272
AS-42HO-3/4	3/4 Circle	4851.00	5124.00	5398.00	5672.00	5946.00	435
AS-42HO-Wall	Wall Bench (Per Linear Foot)	231.00	245.00	258.00	270.00	284.00	29
48" Height							
AS-48HO	Single	965.00	1015.00	1065.00	1110.00	1160.00	92
AD-48HO	Double	1640.00	1710.00	1777.50	1845.00	1917.50	140
AS-48HO-D	Deuce Single	900.00	947.50	992.50	1037.50	1082.50	72
AD-48HO-D	Deuce Double	1530.00	1592.50	1657.50	1722.50	1782.50	90
AS-48HO-1/2	1/2 Circle	3980.00	4211.00	4442.00	4674.00	4905.00	295
AS-48HO-3/4	3/4 Circle	5573.00	5896.00	6219.00	6542.00	6866.00	455
AS-48HO-Wall	Wall Bench (Per Linear Foot)	266.00	282.00	297.00	312.00	328.00	35

• Refer to pages 25 through 28 for ordering options and additional specifications.

Upholstered Booths - Standard

Button Tufted Back



AS-36T



AD-36T



AS-42T-1/2

Shown with optional crumb strip.
-see page 26

Model #	Type of Booth	GR4 / COM List \$	Grade 5 List \$	Grade 6 List \$	Grade 7 List \$	Grade 8 List \$	Wt Lbs
36" Height							
AS-36T	Single	790.00	807.50	847.50	877.50	912.50	79
AD-36T	Double	1340.00	1390.00	1440.00	1492.50	1542.50	106
AS-36T-D	Deuce Single	737.50	765.00	792.50	817.50	845.00	49
AD-36T-D	Deuce Double	1140.00	1297.50	1347.50	1392.50	1440.00	71
AS-36T-1/2	1/2 Circle	3252.00	3376.00	3501.00	3625.00	3749.00	255
AS-36T-3/4	3/4 Circle	4553.00	4727.00	4901.00	5075.00	5249.00	425
AS-36T-Wall	Wall Bench (Per Linear Foot)	217.00	225.00	233.00	243.00	251.00	29
42" Height							
AS-42T	Single	907.50	945.00	980.00	1017.50	1052.50	93
AD-42T	Double	1540.00	1597.50	1652.50	1712.50	1767.50	113
AS-42T-D	Deuce Single	845.00	877.50	915.50	950.00	982.50	56
AD-42T-D	Deuce Double	1437.50	1490.00	1542.50	1597.50	1650.00	80
AS-42T-1/2	1/2 Circle	3749.00	3927.00	4104.00	4283.00	4460.00	277
AS-42T-3/4	3/4 Circle	5249.00	5498.00	5747.00	5995.00	6145.00	440
AS-42T-Wall	Wall Bench (Per Linear Foot)	251.00	262.00	274.00	286.00	298.00	30
48" Height							
AS-48T	Single	1042.50	1080.00	1115.00	1175.00	1190.00	97
AD-48T	Double	1772.50	1830.00	1887.50	1942.50	2002.50	145
AS-48T-D	Deuce Single	975.00	1007.50	1042.50	1075.00	1110.00	77
AD-48T-D	Deuce Double	1652.50	1707.50	1760.00	1812.50	1865.00	95
AS-48T-1/2	1/2 Circle	4300.00	4478.00	4655.00	4833.00	5011.00	312
AS-48T-3/4	3/4 Circle	6020.00	6269.00	6518.00	6767.00	7015.00	462
AS-48T-Wall	Wall Bench (Per Linear Foot)	288.00	299.00	311.00	323.00	335.00	36

• Refer to pages 25 through 28 for ordering options and additional specifications.

Upholstered Booths - Standard

V-back Back



AS-36VN



AD-36VN



AS-36VN-1/2

Model #	Type of Booth	GR4 / COM List \$	Grade 5 List \$	Grade 6 List \$	Grade 7 List \$	Grade 8 List \$	Wt Lbs
36" Height							
AS-36VN	Single	612.50	642.50	672.50	700.00	732.50	74
AD-36VN	Double	1037.50	1085.00	1137.50	1187.50	1237.50	103
AS-36VN-D	Deuce Single	570.00	597.50	625.00	652.50	680.00	46
AD-36VN-D	Deuce Double	967.50	1015.00	1062.50	1107.50	1157.50	69
AS-36VN-1/2	1/2 Circle	2403.00	2520.00	2637.00	2754.00	2871.00	250
AS-36VN-3/4	3/4 Circle	3364.00	3528.00	3691.00	3855.00	4019.00	420
AS-36VN-Wall	Wall Bench (Per Linear Foot)	168.00	175.00	181.00	193.00	202.00	27
42" Height							
AS-42VN	Single	702.50	737.50	775.00	810.00	845.00	88
AD-42VN	Double	1192.50	1250.00	1305.00	1360.00	1415.00	108
AS-42VN-D	Deuce Single	655.00	687.50	722.50	755.00	792.50	53
AD-42VN-D	Deuce Double	1112.50	1167.50	1217.50	1270.00	1322.50	77
AS-42VN-1/2	1/2 Circle	2770.00	2938.00	3104.00	3271.00	3438.00	272
AS-42VN-3/4	3/4 Circle	3878.00	4112.00	4346.00	4579.00	4812.00	435
AS-42VN-Wall	Wall Bench (Per Linear Foot)	197.00	202.00	212.00	220.00	237.00	29
48" Height							
AS-48VN	Single	807.50	845.00	882.50	917.50	950.00	92
AD-48VN	Double	1372.50	1430.00	1482.50	1540.00	1597.50	140
AS-48VN-D	Deuce Single	755.00	790.00	822.50	855.00	887.50	72
AD-48VN-D	Deuce Double	1282.50	1335.00	1385.00	1437.50	1490.00	90
AS-48VN-1/2	1/2 Circle	3187.00	3354.00	3521.00	3688.00	3855.00	295
AS-48VN-3/4	3/4 Circle	4463.00	4696.00	4929.00	5163.00	5397.00	455
AS-48VN-Wall	Wall Bench (Per Linear Foot)	224.00	237.00	245.00	257.00	273.00	35

• Refer to pages 25 through 28 for ordering options and additional specifications.

Upholstered Booths - Standard

Fan Back



AS-42-F

Shown with
optional crumb strip.
-see page 26

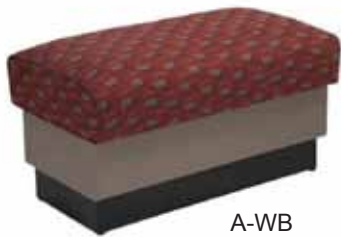


AD-42-F

Model #	Type of Booth	GR4 / COM List \$	Grade 5 List \$	Grade 6 List \$	Grade 7 List \$	Grade 8 List \$	Wt Lbs
42" Height							
AS-42-F	Single	817.50	855.00	890.00	927.50	962.50	90
AD-42-F	Double	1350.00	1407.50	1462.50	1520.00	1572.50	125
AS-42F-D	Deuce Single	765.00	797.50	832.50	865.00	897.50	65
AD-42F-D	Deuce Double	1260.00	1312.50	1367.50	1417.50	1467.50	85
AS-42F-Wall	Wall Bench(Per Linear Foot)	225.00	239.00	253.00	267.00	281.00	29
48" Height							
AS-48-F	Single	942.50	977.50	1015.00	1047.50	1085.00	98
AD-48-F	Double	1555.50	1610.00	1662.50	1720.00	1775.00	150
AS-48F-D	Deuce Single	877.50	915.00	947.50	980.00	1012.50	75
AD-48F-D	Deuce Double	1450.00	1502.50	1555.00	1602.50	1657.50	85
AS-48F-Wall	Wall Bench(Per Linear Foot)	256.00	272.00	288.00	304.00	320.00	35

Waiting Benches

Priced per Linear Foot



A-WB



A-SB



A-CB

Model #	Type of Waiting Bench	GR4 / COM List \$ / FT	Grade 5 List \$ / FT	Grade 6 List \$ / FT	Grade 7 List \$ / FT	Grade 8 List \$ / FT	Wt Lbs / FT
A-WB	Upholstered Bench	80.00	100.00	115.00	135.00	150.00	21
A-SB	Wood & Upholstered Bench	120.00	130.00	140.00	150.00	160.00	20
A-CB	Wood Bench			100.00			19

• Refer to pages 25 through 28 for ordering options and additional specifications.

Upholstered Booths - Biltmore

Biltmore Pullover Back

AS42-B-GR6



Advanced Dymetrol® web based seating construction.

Spring seat available upon request.



AD42-B-GR6



AS42-B-1/2-GR6



AS42-B-WALL-GR6

Shown with optional wood legs.
--see page 26

Model #	Type of Booth	GR4 / COM List \$	Grade 5 List \$	Grade 6 List \$	Grade 7 List \$	Grade 8 List \$	Wt Lbs
36" Height							
AS36-B	Single	\$647.50	\$675.00	\$712.50	\$747.50	\$787.50	85
AD36-B	Double	\$862.50	\$905.00	\$950.00	\$997.50	\$1,047.50	118
AS36-B-D	Deuce Single	\$612.50	\$645.00	\$675.00	\$712.50	\$747.50	60
AD36-B-D	Deuce Double	\$812.50	\$852.50	\$895.00	\$937.50	\$987.50	83
AS36-B-1/2	1/2 Circle	\$2,375.00	\$2,495.00	\$2,625.00	\$2,747.50	\$2,887.50	420
AS36-B-3/4	3/4 Circle	\$3,375.00	\$3,545.00	\$3,720.00	\$3,912.50	\$4,100.00	644
AS36-B-Wall	Wall Bench (Per Linear Foot)	\$162.50	\$170.00	\$180.00	\$187.50	\$197.50	28
42" Height							
AS42-B	Single	\$862.50	\$990.00	\$1,040.00	\$1,092.50	\$1,150.00	95
AD42-B	Double	\$1,292.50	\$1,355.00	\$1,425.00	\$1,497.50	\$1,570.00	126
AS42-B-D	Deuce Single	\$817.50	\$857.50	\$900.00	\$945.00	\$995.00	62
AD42-B-D	Deuce Double	\$1,212.50	\$1,272.50	\$1,337.50	\$1,402.50	\$1,475.00	88
AS42-B-1/2	1/2 Circle	\$3,597.50	\$3,775.00	\$3,965.00	\$4,165.00	\$4,375.00	435
AS42-B-3/4	3/4 Circle	\$6,467.50	\$6,790.00	\$7,130.00	\$7,487.50	\$7,862.50	667
AS42-B-Wall	Wall Bench (Per Linear Foot)	\$252.50	\$265.00	\$277.50	\$292.50	\$307.50	29
48" Height							
AS48-B	Single	\$990.00	\$1,035.00	\$1,092.50	\$1,145.00	\$1,202.50	105
AD48-B	Double	\$1,427.50	\$1,562.50	\$1,640.00	\$1,722.50	\$1,807.50	160
AS48-B-D	Deuce Single	\$940.00	\$987.50	\$1,037.50	\$1,087.50	\$1,142.50	74
AD48-B-D	Deuce Double	\$1,392.50	\$1,462.50	\$1,535.00	\$1,612.50	\$1,692.50	112
AS48-B-1/2	1/2 Circle	\$4,137.50	\$4,345.00	\$4,562.50	\$4,790.00	\$5,027.50	420
AS48-B-3/4	3/4 Circle	\$7,437.50	\$7,810.00	\$8,200.00	\$8,612.50	\$9,040.00	736
AS48-B-Wall	Wall Bench (Per Linear Foot)	\$292.50	\$307.50	\$322.50	\$337.50	\$355.00	32

• Refer to pages 25 through 28 for ordering options and additional specifications.

Upholstered Booths - Biltmore

Biltmore Button Tufted Back



AS-42TB

Advanced Dymetrol® web based seating construction.

Spring seat available upon request.



AD-42TB

Model #	Type of Booth	GR4 / COM List \$	Grade 5 List \$	Grade 6 List \$	Grade 7 List \$	Grade 8 List \$	Wt Lbs
36" Height							
AS-36TB	Single	790.00	807.50	847.50	877.50	912.50	79
AD-36TB	Double	1340.00	1390.00	1440.00	1492.50	1542.50	106
AS-36TB-D	Deuce Single	737.50	765.00	792.50	817.50	845.00	49
AD-36TB-D	Deuce Double	1140.00	1297.50	1347.50	1392.50	1440.00	71
AS-36TB-1/2	1/2 Circle	3252.00	3376.00	3501.00	3625.00	3749.00	255
AS-36TB-3/4	3/4 Circle	4553.00	4727.00	4901.00	5075.00	5249.00	425
AS-36TB-Wall	Wall Bench (Per Linear Foot)	217.00	225.00	233.00	243.00	251.00	29
42" Height							
AS-42TB	Single	907.50	945.00	980.00	1017.50	1052.50	93
AD-42TB	Double	1540.00	1597.50	1652.50	1712.50	1767.50	113
AS-42TB-D	Deuce Single	845.00	877.50	915.50	950.00	982.50	56
AD-42TB-D	Deuce Double	1437.50	1490.00	1542.50	1597.50	1650.00	80
AS-42TB-1/2	1/2 Circle	3749.00	3927.00	4104.00	4283.00	4460.00	277
AS-42TB-3/4	3/4 Circle	5249.00	5498.00	5747.00	5995.00	6145.00	440
AS-42TB-Wall	Wall Bench (Per Linear Foot)	251.00	262.00	274.00	286.00	298.00	30
48" Height							
AS-48TB	Single	1042.50	1080.00	1115.00	1175.00	1190.00	97
AD-48TB	Double	1772.50	1830.00	1887.50	1942.50	2002.50	145
AS-48TB-D	Deuce Single	975.00	1007.50	1042.50	1075.00	1110.00	77
AD-48TB-D	Deuce Double	1652.50	1707.50	1760.00	1812.50	1865.00	95
AS-48TB-1/2	1/2 Circle	4300.00	4478.00	4655.00	4833.00	5011.00	312
AS-48TB-3/4	3/4 Circle	6020.00	6269.00	6518.00	6767.00	7015.00	462
AS-48TB-Wall	Wall Bench (Per Linear Foot)	288.00	299.00	311.00	323.00	335.00	36

• Refer to pages 25 through 28 for ordering options and additional specifications.

Alex Booths - Upholstered

Alex Style Upholstered



AS-36-66U



AD-36-66U

Model #	Type of Booth	GR4 / COM List \$	Grade 5 List \$	Grade 6 List \$	Grade 7 List \$	Grade 8 List \$	Wt Lbs
36" Height							
AS36-66U	Single	672.50	702.50	732.50	762.50	792.50	130
AD36-66U	Double	1140.00	1190.00	1240.00	1292.50	1342.50	190
AS36-66U-D	Deuce Single	625.00	655.00	682.50	710.00	737.50	65
AD36-66U-D	Deuce Double	1065.00	1110.00	1160.00	1205.00	1255.00	95
AS36-66U-1/2	1/2 Circle	2773.00	2897.00	3021.00	3145.00	3269.00	390
AS36-66U-3/4	3/4 Circle	3881.00	4055.00	4230.00	4403.00	4577.00	570
AS36-66U-Wall	Wall Bench (Per Linear Foot)	185.00	193.00	202.00	210.00	219.00	35
42" Height							
AS42-66U	Single	772.50	807.50	842.50	882.50	917.50	140
AD42-66U	Double	1310.00	1367.50	1422.50	1480.00	1537.50	203
AS42-66U-D	Deuce Single	720.00	752.50	790.00	825.00	857.50	78
AD42-66U-D	Deuce Double	1222.50	1277.50	1327.50	1380.00	1435.00	108
AS42-66U-1/2	1/2 Circle	3181.00	3359.00	3536.00	3715.00	3892.00	425
AS42-66U-3/4	3/4 Circle	4453.00	4702.00	4951.00	5199.00	5448.00	580
AS42-66U-Wall	Wall Bench (Per Linear Foot)	213.00	224.00	236.00	248.00	260.00	37
48" Height							
AS48-66U	Single	887.50	922.50	960.00	995.00	1032.50	148
AD48-66U	Double	1505.00	1562.50	1620.00	1677.50	1735.00	228
AS48-66U-D	Deuce Single	827.50	862.50	895.00	930.00	962.50	88
AD48-66U-D	Deuce Double	1405.00	1457.50	1510.00	1562.50	1617.50	118
AS48-66U-1/2	1/2 Circle	3660.00	3839.00	4016.00	4194.00	4371.00	435
AS48-66U-3/4	3/4 Circle	5124.00	5374.00	5622.00	5871.00	6119.00	605
AS48-66U-Wall	Wall Bench (Per Linear Foot)	245.00	256.00	268.00	281.00	292.00	42

• Refer to pages 25 through 28 for ordering options and additional specifications.

Alex Booths - Laminated

Alex Style Laminated



Model #	Type of Booth	GR4 / COM List \$	Grade 5 List \$	Grade 6 List \$	Grade 7 List \$	Grade 8 List	Wt Lbs
36" Height							
AS36-66L	Single	877.50	913.00	946.00	979.00	1012.00	130
AD36-66L	Double	1490.50	1545.50	1603.25	1658.25	1716.00	190
AS36-66L-D	Deuce Single	819.50	850.00	880.00	910.50	943.50	65
AD36-66L-D	Deuce Double	1391.50	1446.50	1496.00	1548.50	1603.50	95
AD36-66L-1/2	1/2 Circle	4575.50	4780.00	4985.00	5189.50	5394.00	390
AD36-66L-3/4	3/4 Circle	6404.00	6691.00	6979.50	7265.00	7552.00	570
AS36-66L-Wall	Wall Bench (Per Linear Foot)	242.00	251.00	260.00	269.50	278.50	35
42" Height							
AS42-66L	Single	1009.50	1050.50	1089.00	1130.50	1171.50	140
AD42-66L	Double	1716.00	1779.50	1842.50	1903.00	1969.00	203
AS42-66L-D	Deuce Single	943.50	982.00	1020.50	1056.00	1092.00	78
AD42-66L-D	Deuce Double	1603.50	1658.50	1719.00	1776.50	1837.00	108
AD42-66L-1/2	1/2 Circle	5249.00	5542.50	5834.50	6130.00	6422.00	425
AD42-66L-3/4	3/4 Circle	7346.50	7758.50	8169.50	8578.50	8989.50	580
AS42-66L-Wall	Wall Bench (Per Linear Foot)	278.50	291.50	304.00	318.00	330.00	37
48" Height							
AS48-66L	Single	1141.50	1182.50	1221.00	1259.50	1303.50	148
AD48-66L	Double	1939.00	1996.50	2062.50	2123.00	2189.00	228
AS48-66L-D	Deuce Single	1064.50	1103.00	1141.50	1177.00	1215.50	88
AD48-66L-D	Deuce Double	1809.50	1864.50	1925.00	1983.00	2040.50	118
AD48-66L-1/2	1/2 Circle	6039.00	6335.00	6626.50	6920.00	7212.50	435
AD48-66L-3/4	3/4 Circle	8455.00	8867.00	9276.50	9687.50	10096.50	605
AS48-66L-Wall	Wall Bench (Per Linear Foot)	315.00	328.00	340.00	354.50	367.50	42

• Refer to pages 25 through 28 for ordering options and additional specifications.

Alex Booths - Wood

Alex Wood



AS42-66W



AD42-66W



Model #	Type of Booth	GR4 / COM List \$	Grade 5 List \$	Grade 6 List \$	Grade 7 List \$	Grade 8 List	Wt Lbs
36" Height							
AS36-66W	Single	797.50	830.00	860.00	890.00	920.00	130
AD36-66W	Double	1355.00	1405.00	1457.50	1507.50	1560.00	190
AS36-66W-D	Deuce Single	745.00	772.50	800.00	827.50	857.50	65
AD36-66W-D	Deuce Double	1265.00	1315.00	1360.00	1407.50	1457.50	95
AD36-66W-1/2	1/2 Circle	4159.50	4345.50	4531.50	4717.50	4903.50	390
AD36-66W-3/4	3/4 Circle	5821.50	6082.50	6345.00	6604.50	6865.50	570
AS36-66W-Wall	Wall Bench (Per Linear Foot)	220.00	228.00	236.00	245.00	253.00	35
42" Height							
AS42-66W	Single	917.50	955.00	990.00	1027.50	1065.00	140
AD42-66W	Double	1560.00	1617.50	1675.00	1730.00	1790.00	203
AS42-66W-D	Deuce Single	857.50	892.50	927.50	960.00	992.50	78
AD42-66W-D	Deuce Double	1457.50	1507.50	1562.50	1615.00	1670.00	108
AD42-66W-1/2	1/2 Circle	4771.50	5038.50	5304.00	5572.50	5838.00	425
AD42-66W-3/4	3/4 Circle	6678.50	7053.00	7426.50	7798.50	8172.00	580
AS42-66W-Wall	Wall Bench (Per Linear Foot)	253.00	265.00	276.00	289.00	300.00	37
48" Height							
AS48-66W	Single	1037.50	1075.00	1110.00	1145.00	1185.00	148
AD48-66W	Double	1762.50	1815.00	1875.00	1930.00	1990.00	228
AS48-66W-D	Deuce Single	967.50	1002.50	1037.50	1070.00	1105.00	88
AD48-66W-D	Deuce Double	1645.00	1695.00	1750.00	1802.50	1855.00	118
AD48-66W-1/2	1/2 Circle	5490.00	5758.50	6024.00	6291.00	6556.50	435
AD48-66W-3/4	3/4 Circle	7686.00	8061.00	8433.00	8806.50	9178.50	605
AS48-66W-Wall	Wall Bench (Per Linear Foot)	286.00	298.00	309.00	322.00	334.00	42

- Refer to pages 25 through 28 for ordering options and additional specifications.
- Finish Codes: N-Natural, C-Cherry, DM-Dark Mahogany, W-Walnut

Wood Booths - Imported

Aisan Import



AWS-48C-COM



AWD-48DM-COM



AWS-48C

Shown with optional back pad.
- see below for pricing

Model #	Type of Booth	Wood Seat List \$	GR4 / COM List \$	Grade 5 List \$	Grade 6 List \$	Grade 7 List \$	Grade 8 List \$	Wt Lbs
42" Height - 48" Length								
AWS-48C	Single - Cherry	592.50	640.00	662.50	675.00	685.00	695.00	60
AWD-48C	Double - Cherry	990.00	1085.00	1130.00	1155.00	1175.00	1195.00	99
AWS-48DM	Single - Dark Mahogany	592.50	640.00	662.50	675.00	685.00	695.00	60
AWD-48DM	Double - Dark Mahogany	990.00	1085.00	1130.00	1155.00	1175.00	1195.00	99
42" Height - 72" Length								
AWS-72C	Single - Cherry	917.50	995.00	1017.50	1030.00	1040.00	1050.00	128
AWD-72C	Double - Cherry	1310.00	1465.00	1510.00	1535.00	1555.00	2620.00	177
AWS-72DM	Single - Dark Mahogany	917.50	995.00	1017.50	1030.00	1040.00	1050.00	128
AWD-72DM	Double - Dark Mahogany	1310.00	1465.00	1510.00	1535.00	1555.00	2620.00	177

- Refer to pages 25 through 28 for ordering options and additional specifications.
- Available finishes: Cherry & Dark Mahogany only.
- Wood species: Asian hardwood.

Back Pad Options (Asian, Savannah & Bead Board Back Booths)

46-48" Booth	Back / EA	72" Booth	Back / EA	Per Ft.	Back / EA
GR 4 Pad	47.50	GR 4 Pad	77.50	GR 4 Pad	12.00
GR 5 Pad	70.00	GR 5 Pad	100.00	GR 5 Pad	18.00
GR 6 Pad	82.50	GR 6 Pad	112.50	GR 6 Pad	21.00
GR 7 Pad	92.50	GR 7 Pad	122.50	GR 7 Pad	23.50
GR 8 Pad	102.50	GR 8 Pad	132.50	GR 8 Pad	26.00



Optional Back Pad

Wood Booths - Standard

Plain Back, Standard Seat



AS48-W-SS



AD48-W-SS



Shown with optional wood kickplate.
-see page 26



Shown with optional stainless steel legs.
-see page 26



Model #	Type of Booth	GR4 / COM List \$	Grade 5 List \$	Grade 6 List \$	Grade 7 List \$	Grade 8 List \$	Wt Lbs
36" Height							
AS36-W-SS	Single	857.50	887.50	917.50	950.00	980.00	74
AD36-W-SS	Double	1457.50	1507.50	1560.00	1610.00	1660.00	103
AS36-W-SS-D	Deuce Single	802.50	830.00	857.50	885.00	912.50	46
AD36-W-SS-D	Deuce Double	1357.50	1407.50	1457.50	1502.50	1550.00	69
AS36-W-SS-Wall	Wall Bench (Per Linear Foot)	230.00	239.00	246.00	254.00	262.00	27
42" Height							
AS42-W-SS	Single	987.50	1022.50	1057.50	1097.50	1132.50	88
AD42-W-SS	Double	1675.00	1732.50	1790.00	1845.00	1902.50	108
AS42-W-SS-D	Deuce Single	920.00	955.00	987.50	1022.50	1057.50	53
AD42-W-SS-D	Deuce Double	1562.50	1617.50	1670.00	1722.50	1775.00	77
AS42-W-SS-Wall	Wall Bench (Per Linear Foot)	264.00	277.00	288.00	299.00	311.00	28
48" Height							
AS48-W-SS	Single	1135.00	1170.00	1205.00	1245.00	1280.00	92
AD48-W-SS	Double	1925.00	1982.50	2040.00	2097.50	2155.00	140
AS48-W-SS-D	Deuce Single	1057.50	1095.00	1127.50	1162.50	1195.00	72
AD48-W-SS-D	Deuce Double	1797.50	1852.50	1902.50	1955.00	2007.50	90
AS48-W-SS-Wall	Wall Bench (Per Linear Foot)	304.00	316.00	327.00	338.00	351.00	30

- Refer to pages 25 through 28 for ordering options and additional specifications.
- Finish Codes: N-Natural C-Cherry DM-Dark Mahogany W-Walnut

Wood Booths - Standard

Bead Board Back, Standard Seat



Model #	Type of Booth	GR4 / COM List \$	Grade 5 List \$	Grade 6 List \$	Grade 7 List \$	Grade 8 List \$	Wt Lbs
36" Height							
AS36-WBB-SS	Single	817.50	842.50	867.50	890.00	917.50	123
AD36-WBB-SS	Double	1390.00	1430.00	1467.50	1505.00	1547.50	170
AS36-WBB-SS-D	Deuce Single	765.00	785.00	810.00	832.50	857.50	78
AD36-WBB-SS-D	Deuce Double	1297.50	1335.00	1372.50	1407.50	1445.00	103
AS36-WBB-SS-Wall	Wall Bench (Per Linear Foot)	220.00	225.00	231.00	237.00	243.00	40
42" Height							
AS42-WBB-SS	Single	942.50	957.50	997.50	1025.00	1052.50	127
AD42-WBB-SS	Double	1597.50	1640.00	1680.00	1717.50	1760.00	179
AS42-WBB-SS-D	Deuce Single	877.50	905.00	932.50	957.50	985.00	84
AD42-WBB-SS-D	Deuce Double	1495.00	1530.00	1567.50	1607.50	1645.00	109
AS42-WBB-SS-Wall	Wall Bench (Per Linear Foot)	253.00	261.00	269.00	278.00	286.00	42
48" Height							
AS48-WBB-SS	Single	1080.00	1110.00	1137.50	1165.00	1195.00	149
AD48-WBB-SS	Double	1837.50	1875.00	1917.50	1957.50	1997.50	228
AS48-WBB-SS-D	Deuce Single	1012.50	1037.50	1065.00	1090.00	1117.50	112
AD48-WBB-SS-D	Deuce Double	1717.50	1752.50	1792.50	1830.00	1867.50	129
AS48-WBB-SS-Wall	Wall Bench (Per Linear Foot)	291.00	299.00	307.00	316.00	324.00	45

- Refer to pages 25 through 28 for ordering options and additional specifications.
- Finish Codes: N-Natural, C-Cherry, DM-Dark Mahogany, W-Walnut

Wood Booths - Platform

Bead Board Back, Platform Seat



AS36-WBB-PS



AD36-WBB-PS



AS36-WBB-PS-1/2



Model #	Type of Booth	GR4 / COM List \$	Grade 5 List \$	Grade 6 List \$	Grade 7 List \$	Grade 8 List \$	Wt Lbs
36" Height							
AS36-WBB-PS	Single	800.00	825.00	845.00	872.50	897.50	123
AD36-WBB-PS	Double	1357.50	1397.50	1435.00	1472.50	1512.50	170
AS36-WBB-PS-D	Deuce Single	745.00	770.00	792.50	812.50	835.00	78
AD36-WBB-PS-D	Deuce Double	1267.50	1305.00	1342.50	1377.50	1412.50	103
AS36-WBB-PS-1/2	1/2 Circle	3982.00	4075.00	4171.00	4265.00	4360.00	606
AS36-WBB-PS-3/4	3/4 Circle	6090.00	6235.00	6379.00	6524.00	6670.00	929
AS36-WBB-PS-Wall	Wall Bench (Per Linear Foot)	230.00	236.00	242.00	250.00	256.00	40
42" Height							
AS42-WBB-PS	Single	920.00	947.50	977.50	1005.00	1032.50	127
AD42-WBB-PS	Double	1560.00	1597.50	1642.50	1680.00	1720.00	179
AS42-WBB-PS-D	Deuce Single	857.50	885.00	912.50	937.50	962.50	84
AD42-WBB-PS-D	Deuce Double	1457.50	1495.00	1532.50	1570.00	1610.00	109
AS42-WBB-PS-1/2	1/2 Circle	4511.00	4643.00	4775.00	4909.00	5041.00	628
AS42-WBB-PS-3/4	3/4 Circle	6901.00	7105.00	7272.00	7511.00	7714.00	962
AS42-WBB-PS-Wall	Wall Bench (Per Linear Foot)	265.00	274.00	282.00	292.00	300.00	42
48" Height							
AS48-WBB-PS	Single	1057.50	1085.00	1112.50	1140.00	1167.50	149
AD48-WBB-PS	Double	1795.00	1835.00	1875.00	1915.00	1955.00	228
AS48-WBB-PS-D	Deuce Single	987.50	1012.50	1040.00	1067.50	1090.00	112
AD48-WBB-PS-D	Deuce Double	1677.50	1712.50	1750.00	1790.00	1827.50	129
AS48-WBB-PS-1/2	1/2 Circle	5098.00	5230.00	5363.00	5495.00	5627.00	693
AS48-WBB-PS-3/4	3/4 Circle	7801.00	8004.00	8207.00	8410.00	8614.00	1062
AS48-WBB-PS-Wall	Wall Bench (Per Linear Foot)	304.00	312.00	320.00	329.00	338.00	45

- Refer to pages 25 through 28 for ordering options and additional specifications.
- Finish Codes: N-Natural, C-Cherry, DM-Dark Mahogany, W-Walnut

Wood Booths - Platform

Plain Back, Platform Seat



AS42-W-PS



AD42-W-PS

Model #	Type of Booth	GR4 / COM List \$	Grade 5 List \$	Grade 6 List \$	Grade 7 List \$	Grade 8 List \$	Wt Lbs
36" Height							
AS36-W-PS	Single	837.50	867.50	900.00	927.50	960.00	123
AD36-W-PS	Double	1420.00	1472.50	1522.50	1572.50	1625.00	170
AS36-W-PS-D	Deuce Single	780.00	807.50	835.00	865.00	892.50	78
AD36-W-PS-D	Deuce Double	1327.50	1375.00	1422.50	1472.50	1520.00	103
AS36-W-PS-1/2	1/2 Circle	4152.00	4284.00	4417.00	4552.00	4681.00	606
AS36-W-PS-3/4	3/4 Circle	6352.00	6554.00	6756.00	6959.00	7163.00	929
AS36-W-PS-Wall	Wall Bench (Per Linear Foot)	225.00	234.00	242.00	250.00	258.00	40
42" Height							
AS42-W-PS	Single	962.50	997.50	1037.50	1072.50	1107.50	127
AD42-W-PS	Double	1635.00	1690.00	1750.00	1805.00	1862.50	179
AS42-W-PS-D	Deuce Single	900.00	932.50	967.50	1002.50	1037.50	84
AD42-W-PS-D	Deuce Double	1527.50	1580.00	1630.00	1685.00	1740.00	109
AS42-W-PS-1/2	1/2 Circle	4700.00	4889.00	5078.00	5267.00	5456.00	628
AS42-W-PS-3/4	3/4 Circle	7192.00	7481.00	7771.00	8062.00	8351.00	962
AS42-W-PS-Wall	Wall Bench (Per Linear Foot)	259.00	271.00	282.00	293.00	305.00	42
48" Height							
AS48-W-PS	Single	1107.50	1145.00	1180.00	1217.50	1252.50	149
AD48-W-PS	Double	1882.50	1937.50	1995.00	2050.00	2110.00	228
AS48-W-PS-D	Deuce Single	1035.00	1070.00	1102.50	1135.00	1170.00	112
AD48-W-PS-D	Deuce Double	1755.00	1810.00	1862.50	1915.00	1965.00	129
AS48-W-PS-1/2	1/2 Circle	5324.00	5513.00	5702.00	5891.00	6080.00	693
AS48-W-PS-3/4	3/4 Circle	8148.00	8438.00	8728.00	9018.00	9308.00	1062
AS48-W-PS-Wall	Wall Bench (Per Linear Foot)	297.00	309.00	320.00	332.00	343.00	45

- Refer to pages 25 through 28 for ordering options and additional specifications.
- Finish Codes: N-Natural, C-Cherry, DM-Dark Mahogany, W-Walnut

Wood Booths - Charleston

Charleston Wood, Open Platform Seat



Model #	Type of Booth	Wood Seat List \$	GR4 / COM List \$	Grade 5 List \$	Grade 6 List \$	Grade 7 List \$	Grade 8 List \$	Wt Lbs
42" Height								
AS42-CW	Single	635.00	747.50	785.00	822.50	865.00	912.50	94
AD42-CW	Double	950.00	1,125.00	1,180.00	1,242.50	1,302.50	1,367.50	130
AS42-CW-D	Deuce Single	605.00	712.50	747.50	787.50	825.00	867.50	66
AD42-CW-D	Deuce Double	890.00	1,057.50	1,110.00	1,165.00	1,225.00	1,287.50	92
AS42-CW-1/2	1/2 Circle	2650.00	3,125.00	3,287.50	3,447.50	3,620.00	3,797.50	464
AS42-CW-3/4	3/4 Circle	4780.00	5,625.00	5,905.00	6,200.00	6,510.00	6,835.00	712
AS42-CW-Wall	Wall Bench (Linear Ft)	187.00	220.00	230.00	242.50	252.50	267.50	31
48" Height								
AS48-CW	Single	747.50	862.50	990.00	1,040.00	1,092.50	1,150.00	97
AD48-CW	Double	1125.00	1,292.50	1,355.00	1,425.00	1,497.50	1,570.00	139
AS48-CW-D	Deuce Single	712.50	817.50	857.50	900.00	945.00	995.00	69
AD48-CW-D	Deuce Double	1057.50	1,212.50	1,272.50	1,337.50	1,402.50	1,475.00	97
AS48-CW-1/2	1/2 Circle	3125.00	3,597.50	3,775.00	3,965.00	4,165.00	4,375.00	481
AS48-CW-3/4	3/4 Circle	5625.00	6,467.50	6,790.00	7,130.00	7,487.50	7,862.50	738
AS48-CW-Wall	Wall Bench (Linear Ft)	220.00	252.50	265.00	277.50	292.50	307.50	32
54" Height								
AS54-CW	Single	862.50	990.00	1,035.00	1,092.50	1,145.00	1,202.50	116
AD54-CW	Double	1292.50	1,487.50	1,562.50	1,640.00	1,722.50	1,807.50	177
AS54-CW-D	Deuce Single	817.50	940.00	987.50	1,037.50	1,087.50	1,142.50	82
AD54-CW-D	Deuce Double	1212.50	1,392.50	1,462.50	1,535.00	1,612.50	1,692.50	124
AS54-CW-1/2	1/2 Circle	3597.50	4,137.50	4,345.00	4,562.50	4,790.00	5,027.50	531
AS54-CW-3/4	3/4 Circle	6490.00	7,437.50	7,810.00	8,200.00	8,612.50	9,040.00	814
AS54-CW-Wall	Wall Bench (Linear Ft)	265.00	292.50	307.50	322.50	337.50	355.00	35

- Refer to pages 25 through 28 for ordering options and additional specifications.
- Standard finishes: N-Natural, C-Cherry, DM-Dark Mahogany, W-Walnut.

Wood Booths - Georgia

Country Style Platform, Padded Seat and Back



AS42-W-GS



AD42-W-GS

Model #	Type of Booth	GR4 / COM List \$	Grade 5 List \$	Grade 6 List \$	Grade 7 List \$	Grade 8 List \$	Wt Lbs
36" Height							
AS36-W-GS	Single	837.50	867.50	900.00	927.50	960.00	85
AD36-W-GS	Double	1420.00	1472.50	1522.50	1572.50	1625.00	118
AS36-W-GS-D	Deuce Single	780.00	807.50	835.00	865.00	892.50	60
AD36-W-GS-D	Deuce Double	1327.50	1375.00	1422.50	1472.50	1520.00	83
AS36-W-GS-1/2	1/2 Circle	4152.00	4284.00	4417.00	4552.00	4681.00	420
AS36-W-GS-3/4	3/4 Circle	6352.00	6554.00	6756.00	6959.00	7163.00	644
AS36-W-GS-Wall	Wall Bench (Per Linear Foot)	225.00	234.00	242.00	250.00	258.00	28
42" Height							
AS42-W-GS	Single	962.50	997.50	1037.50	1072.50	1107.50	95
AD42-W-GS	Double	1635.00	1690.00	1750.00	1805.00	1862.50	126
AS42-W-GS-D	Deuce Single	900.00	932.50	967.50	1002.50	1037.50	62
AD42-W-GS-D	Deuce Double	1527.50	1580.00	1630.00	1685.00	1740.00	88
AS42-W-GS-1/2	1/2 Circle	4700.00	4889.00	5078.00	5267.00	5456.00	435
AS42-W-GS-3/4	3/4 Circle	7192.00	7481.00	7771.00	8062.00	8351.00	667
AS42-W-GS-Wall	Wall Bench (Per Linear Foot)	259.00	271.00	282.00	293.00	305.00	29
48" Height							
AS48-W-GS	Single	1107.50	1145.00	1180.00	1217.50	1252.50	105
AD48-W-GS	Double	1882.50	1937.50	1995.00	2050.00	2110.00	160
AS48-W-GS-D	Deuce Single	1035.00	1070.00	1102.50	1135.00	1170.00	74
AD48-W-GS-D	Deuce Double	1755.00	1810.00	1862.50	1915.00	1965.00	112
AS48-W-GS-1/2	1/2 Circle	5324.00	5513.00	5702.00	5891.00	6080.00	480
AS48-W-GS-3/4	3/4 Circle	8148.00	8438.00	8728.00	9018.00	9308.00	736
AS48-W-GS-Wall	Wall Bench (Per Linear Foot)	297.00	309.00	320.00	332.00	343.00	32

- Refer to pages 25 through 28 for ordering options and additional specifications.
- Finish Codes: N-Natural, C-Cherry, DM-Dark Mahogany, W-Walnut

Wood Booths - Contemporary

Contemporary w/ Legs, Padded Seat and Back



AS42-WC-D-COM



Shown with optional
premium s/s legs
- see page 26

Model #	Type of Booth	GR4 / COM List \$	Grade 5 List \$	Grade 6 List \$	Grade 7 List \$	Grade 8 List \$	Wt Lbs
42" Height							
AS36-WC	Single	747.50	787.50	825.00	865.00	912.50	74
AD36-WC	Double	1125.00	1187.50	1245.00	1312.50	1377.50	103
AS36-WC-D	Deuce Single	700.00	805.00	847.50	887.50	937.50	46
AD36-WC-D	Deuce Double	1057.50	1112.50	1170.00	1227.50	1287.50	69
AS36-WC-Wall	Wall Bench (Per Linear Foot)	222.50	255.00	267.50	287.50	302.50	27
48" Height							
AS42-WC	Single	862.50	912.50	957.50	1012.50	1062.50	88
AD42-WC	Double	1292.50	1362.50	1425.00	1495.00	1575.00	108
AS42-WC-D	Deuce Single	810.00	850.00	892.50	937.50	987.50	53
AD42-WC-D	Deuce Double	1212.50	1272.50	1337.50	1402.50	1475.00	77
AS42-WC-Wall	Wall Bench (Per Linear Foot)	262.50	275.00	287.50	300.00	315.00	28
54" Height							
AS48-WC	Single	990.00	1037.50	1087.50	1140.00	1197.50	92
AD48-WC	Double	1487.50	1560.00	1637.50	1720.00	1812.50	140
AS48-WC-D	Deuce Single	925.00	970.00	1017.50	1067.50	1122.50	72
AD48-WC-D	Deuce Double	1395.00	1465.00	1540.00	1612.50	1700.00	90
AS48-WC-Wall	Wall Bench (Per Linear Foot)	300.00	315.00	330.00	345.00	362.50	30

- Refer to pages 25 through 28 for ordering options and additional specifications.
- Standard finishes: N-Natural, C-Cherry, DM-Dark Mahogany, W-Walnut

TABLE TOPS

Table Specifications

Packaging and Shipping:

- All tops will be palletized and shipped via common carrier.
- A 10% special pallet fee applies on any tops with a dimension longer than 46".
- Tops purchased with bases will include attachment screws (#10 3/4" wood screw).
- Add 40 pounds per pallet when pricing freight.

Quantity Price Breaks & Laminate 5 Top Minimum:

- **Minimum of 5 laminate tops per color, per order. Otherwise add 10% upcharge.**
- To qualify for quantity pricing you must purchase the minimum quantity within a specific category.
- In addition, all laminate tops have a minimum quantity of 5 per order.
- Mixed laminates are NOT allowed to qualify toward the 5 count minimum.
- Mixed sizes are allowed to qualify toward the 5 count minimum.

Laminate Top Pricing:

- Pricing is based on Wilsonart laminates and varies based on laminate used:
 - Standard Price:** Wilsonart laminate with a suffix of -38, -60.
 - Premium 1 Price:** Wilsonart laminate with the suffix of -52, -78, -18, -07, -01.
 - Premium 2 Price:** Wilsonart laminate with the suffix of -35, -45
- Minimum Charge: Small laminate table top orders utilizing less than a full sheet laminate will incur additional Upcharges to cover costs of unused laminate.
- Call ATS Sales for pricing other brands.

Sizes & Finishes:

- The following finishes are available on wood edges, solid wood and drop-leaf tops (custom finishes available)
 - C** – Cherry
 - DM** – Dark Mahogany
 - N** – Natural
 - W** – Walnut
- Actual size is 1/2 inch smaller than size indicated.
- For custom sizes use the price from next largest size, and indicate on purchase order. Note that custom sizes are NOT available on Resin and Reversible tops.



Table Top Options:

Table Top Options	Reversible	Laminate	Resin	Solid Wood	Padded
Oversize (greater than 46")	10%	10%	10%	10%	10%
Less Than 5 Laminate Tops	-	10%	-	-	-
Clipped Corner (Each)	62.50	62.50	-	62.50	62.50
Backer Sheet	-	1.50 /SQ.FT	-	1.50 /SQ.FT	1.50 /SQ.FT

Oversize Tops:

- Maximum standard size on a pallet is 46".
- A special pallet fee applies on any tops with a dimension longer than 46".

Clipped Corners:

- Clipped corners available on all square and rectangular tops, except resin & aluminum.
- Please specify number and location of each clipped corner.

Backer Sheet:

- All laminate tops are available with optional backer sheet.

Specific Top Style Notes

Note: List prices do not include bases

Reversible Tops (C series) see page 11:

- Econo-line product, faster shipment, economical quality.
- 2" radius corners only.
- Custom sizes are not available.
- Clipped corners are not available.

Laminate Tops with T-mold (ATS series):

- 2" radius corners standard
- For 1 side to be self-edge add \$6 per linear foot, rounding to next foot for pricing purposes
- T-mold (all colors) made of polyethylene.
- Limited to a maximum size of 60" wide by 144" long.
- Minimum of 5 laminate tops per color, per order. Otherwise add 10% upcharge.

Laminate Tops with Vinyl Bullnose (ATB series):

- 4" radius corners standard
- For 1 side to be self-edge add \$6 per linear foot, rounding to next foot for pricing purposes.
- Limited to a maximum size of 60" wide by 144" long.
- Minimum of 5 laminate tops per color, per order. Otherwise add 10% upcharge.

Laminate Tops with Self Edge (ATE series):

- Square corners standard,
- Specify and add \$17 for each radius corner.
- Limited to a maximum size of 60" wide by 144" long.
- Minimum of 5 laminate tops per color, per order. Otherwise add 10% upcharge.

Laminate Tops with Wood Waterfall Drop Edge (ATW series):

- Standard eased square corners.
- Round tops constructed with raised laminate.
- Limited to a maximum size of 60" wide by 144" long.
- Minimum of 5 laminate tops per color, per order. Otherwise add 10% upcharge.

Laminated Tops with Wood Full-Bullnose (ATWB series):

- Standard eased square corners. Limited to a maximum size of 60" wide by 144" long.
- Minimum of 5 laminate tops per color, per order. Otherwise add 10% upcharge.

Laminated Tops with Ribbed Aluminum Edge (ATA series):

- 4" radius corners only.
- Square corners not available.
- Limited to a maximum size of 60" wide by 144" long.
- Minimum of 5 laminate tops per color, per order. Otherwise add 10% upcharge.

Solid Ash Wood Tops (W series):

- 1.25" thick plank style. 1.5" & 1.75" available. Contact ATS Sales for pricing & lead time.
- 1" radius corners with eased edges are standard.
- Standard finishes Natural, Cherry, Dark Mahogany & Walnut.
- Custom finishes available.
- Note: Colors may vary up to 10% in shade and hue

Resin Tops (ATR series) see page 12:

- Super-high gloss finish. Can be prone to scratching from unglazed/rough smallwares and china.
- Econo-line product: faster shipment, economical quality.
- 3/4" core with 2" drop edge
- 1" radius corners with eased edges are standard.
- Base mounting blocks standard
- Note: ATR3045 and ATR3048 tops, mounting blocks only accommodate center pedestal base, unless specified on purchase order.
- Custom sizes are not available.
- Clipped corners are not available

Drop-leaf Tops:

- Includes "E-Z" slide hardware
- Converts from 36" square to 51" round.
- Wood species: Premium wood veneer.
- Standard finishes: Custom finishes available.
- Note: Colors may vary up to 10% in shade and hue

Padded Tops (ATP series):

- Standard vinyl color is white.
- Price based on Grade 4 vinyl.
- Vinyl has foam padding on back.
- 60"R top will have a seam in padding.

Laminate Table Tops

Colored Vinyl T-molding



T-mold colors available:
Black, Brown, Red,
Cream, Green, Grey

Please specify color
when ordering



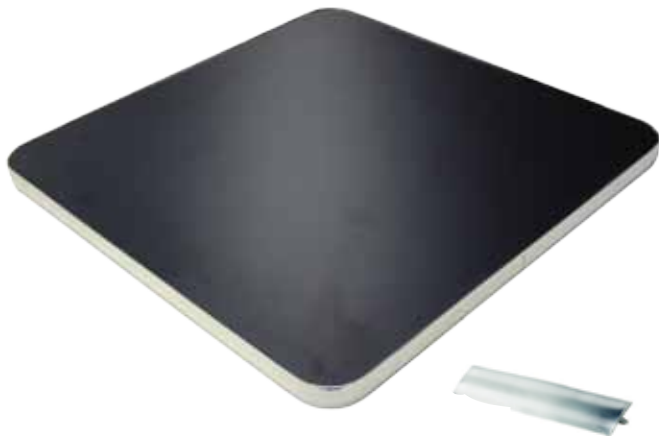
Minimum Order Quantity of 5: For orders less than 5 laminated tops, include an upcharge of 10%.

Size	Black or Brown Vinyl T-Mold			Red, Cream, Green or Grey T-Mold			Wt Lbs		
	Model #	Standard List \$	Premium 1 List \$	Premium 2 List \$	Model #	Standard List \$		Premium 1 List \$	Premium 2 List \$
24 x 24	ATS2424	62.50	85.00	87.50	ATS2424	65.00	85.00	87.50	18
24 x 30	ATS2430	77.50	105.00	107.50	ATS2430	80.00	107.50	110.00	22
24 x 42	ATS2442	125.00	170.00	175.00	ATS2442	130.00	175.00	180.00	32
24 x 45	ATS2445	125.00	170.00	175.00	ATS2445	130.00	175.00	180.00	37
24 x 48	ATS2448	125.00	170.00	175.00	ATS2448	130.00	175.00	180.00	43
24 x 60	ATS2460	142.50	192.50	197.50	ATS2460	150.00	200.00	205.00	60
30 x 30	ATS3030	97.50	132.50	137.50	ATS3030	102.50	137.50	142.50	27
30 x 42	ATS3042	142.50	187.50	192.50	ATS3042	150.00	195.00	200.00	38
30 x 45	ATS3045	142.50	187.50	192.50	ATS3045	150.00	195.00	200.00	40
30 x 48	ATS3048	142.50	187.50	192.50	ATS3048	150.00	195.00	200.00	45
30 x 60	ATS3060	182.50	237.50	242.50	ATS3060	190.00	245.00	250.00	54
30 x 72	ATS3072	212.50	277.50	285.00	ATS3072	222.50	287.50	295.00	65
36 x 36	ATS3636	130.00	172.50	177.50	ATS3636	137.50	180.00	185.00	40
36 x 48	ATS3648	232.50	302.50	307.50	ATS3648	242.50	312.50	317.50	55
42 x 42	ATS4242	277.50	372.50	377.50	ATS4242	290.00	385.00	390.00	55
42 x 42*	ATS4242BC	320.00	415.00	420.00	ATS4242BC	337.50	432.50	437.50	55
24" R	ATS24	62.50	85.00	90.00	ATS24	65.00	87.50	92.50	15
30" R	ATS30	97.50	132.50	137.50	ATS30	102.50	137.50	142.50	23
36" R	ATS36	130.00	172.50	177.50	ATS36	137.50	180.00	185.00	35
42" R	ATS42	277.50	372.50	377.50	ATS42	290.00	385.00	390.00	45
48" R	ATS48	360.00	470.00	482.50	ATS48	375.00	485.00	497.50	58
60" R	ATS60	380.00	502.50	515.00	ATS60	400.00	522.50	535.00	90

- For Standard, Premium 1 & Premium 2 definitions, refer to page 50.
- Refer to pages 50 and 51 for ordering options and additional specifications.
- Add 10% upcharge if order less than four tops.

Laminate Table Tops

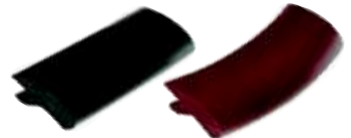
Chrome Vinyl T-molding



Vinyl Bullnose T-molding



Bullnose colors available:
Berry, Black - Please specify
when ordering



Minimum Order Quantity of 5: For orders less than 5 laminated tops, include an upcharge of 10%.

Size	Chrome T-Mold				Laminate w/ Vinyl Bullnose, T-Mold Edge				Wt Lbs
	Model #	Standard List \$	Premium 1 List \$	Premium 2 List \$	Model #	Standard List \$	Premium 1 List \$	Premium 2 List \$	
24 x 24	ATS2424	77.50	100.00	102.50	ATB2424	107.50	130.00	132.50	18
24 x 30	ATS2430	90.00	117.50	120.00	ATB2430	127.50	155.00	157.50	22
24 x 42	ATS2442	142.50	187.50	192.50	ATB2442	157.50	202.50	207.50	32
24 x 45	ATS2445	142.50	187.50	192.50	ATB2445	170.00	215.00	220.00	37
24 x 48	ATS2448	142.50	187.50	192.50	ATB2448	170.00	215.00	220.00	43
24 x 60	ATS2460	165.00	215.00	220.00	ATB2460	235.00	285.00	290.00	60
30 x 30	ATS3030	112.50	147.50	152.50	ATB3030	145.00	180.00	185.00	27
30 x 42	ATS3042	162.50	207.50	212.50	ATB3042	182.50	227.50	232.50	38
30 x 45	ATS3045	162.50	207.50	212.50	ATB3045	182.50	227.50	232.50	40
30 x 48	ATS3048	162.50	207.50	212.50	ATB3048	182.50	227.50	232.50	45
30 x 60	ATS3060	207.50	262.50	267.50	ATB3060	300.00	355.00	360.00	54
30 x 72	ATS3072	237.50	302.50	310.00	ATB3072	337.50	402.50	415.00	65
36 x 36	ATS3636	150.00	192.50	197.50	ATB3636	182.50	225.00	230.00	40
36 x 48	ATS3648	255.00	325.00	330.00	ATB3648	287.50	357.50	362.50	55
42 x 42	ATS4242	297.50	392.50	397.50	ATB4242	317.50	412.50	417.50	55
42 x 42*	ATS4242BC	345.00	440.00	445.00	ATB4242BC	367.50	462.50	467.50	55
24" R	ATS24	75.00	97.50	102.50	ATB24	107.50	130.00	135.00	15
30" R	ATS30	110.00	145.00	150.00	ATB30	145.00	180.00	185.00	23
36" R	ATS36	150.00	192.50	197.50	ATB36	182.50	225.00	230.00	35
42" R	ATS42	292.50	387.50	392.50	ATB42	317.50	412.50	417.50	45
48" R	ATS48	377.50	487.50	500.00	ATB48	350.00	460.00	472.50	58
60" R	ATS60	405.00	527.50	540.00	ATB60	495.00	617.50	630.00	90

- For Standard, Premium 1 & Premium 2 definitions, refer to page 50.
- Refer to pages 50 and 51 for ordering options and additional specifications.
- Add 10% upcharge if order less than four tops.

Laminate Table Tops

Ribbed 'Satin' Aluminum Edge

Self-edge Laminated



Minimum Order Quantity of 5: For orders less than 5 laminated tops, include an upcharge of 10%.

Size	Aluminum Ribbed			Laminated Self Edge Top			Wt Lbs		
	Model #	Standard List \$	Premium 1 List \$	Premium 2 List \$	Model #	Standard List \$		Premium 1 List \$	Premium 2 List \$
24 x 24	ATA2424	170.00	192.50	195.00	ATE2424	117.50	140.00	142.50	18
24 x 30	ATA2430	180.00	207.50	210.00	ATE2430	137.50	165.00	167.50	22
24 x 42	ATS2442	190.00	235.00	240.00	ATE2442	172.50	217.50	222.50	32
24 x 45	ATA2445	200.00	245.00	250.00	ATE2445	185.00	230.00	235.00	37
24 x 48	ATA2448	210.00	255.00	260.00	ATE2448	185.00	230.00	235.00	43
24 x 60	ATA2460	235.00	285.00	290.00	ATE2460	257.50	307.50	312.50	60
30 x 30	ATA3030	195.00	230.00	235.00	ATE3030	162.50	197.50	202.50	27
30 x 42	ATA3042	220.00	265.00	270.00	ATE3042	200.00	245.00	250.00	38
30 x 45	ATA3045	225.00	270.00	275.00	ATE3045	200.00	245.00	250.00	40
30 x 48	ATA3048	230.00	275.00	280.00	ATE3048	200.00	245.00	250.00	45
30 x 60	ATA3060	260.00	315.00	320.00	ATE3060	332.50	387.50	392.50	54
30 x 72	ATA3072	290.00	355.00	362.50	ATE3072	372.50	437.50	445.00	65
36 x 36	ATA3636	220.00	262.50	267.50	ATE3636	200.00	242.50	247.50	40
36 x 48	ATA3648	235.00	305.00	310.00	ATE3648	315.00	385.00	390.00	55
42 x 42	ATA4242	255.00	350.00	355.00	ATE4242	347.50	442.50	447.50	55
42 x 42*	ATA4242BC	290.00	385.00	390.00	ATE4242BC	402.50	497.50	502.50	55
24" R	ATA24	195.00	217.50	220.00	ATE24	117.50	140.00	145.00	15
30" R	ATA30	215.00	250.00	255.00	ATE30	162.50	197.50	202.50	23
36" R	ATA36	240.00	282.50	287.50	ATE36	200.00	242.50	247.50	35
42" R	ATA42	275.00	370.00	375.00	ATE42	347.50	442.50	447.50	45
48" R	ATA48	275.00	385.00	397.50	ATE48	385.00	495.00	507.50	58
60" R	ATA60	390.00	512.50	525.00	ATE60	545.00	667.50	680.00	90
36 x 36 x 51	--	--	--	--	ATE36/51	815.00	910.00	915.00	94

- For Standard, Premium 1 & Premium 2 definitions, refer to page 50.
- Refer to pages 50 and 51 for ordering options and additional specifications.
- 10% upcharge for Aluminum Edge Polish Finish.

Laminate Table Tops - Wood Edge

Full Bullnose Wood Edge



Waterfall Wood Edge



Minimum Order Quantity of 5: For orders less than 5 laminated tops, include an upcharge of 10%.

Size	Laminated w/ Full Bullnose Wood Edge				Laminated w/ Waterfall Wood Edge				Wt Lbs
	Model #	Standard List \$	Premium 1 List \$	Premium 2 List \$	Model #	Standard List \$	Premium 1 List \$	Premium 2 List \$	
24 x 24	ATWB2424	215.00	237.50	240.00	ATW2424	187.50	210.00	212.50	18
24 x 30	ATWB2430	230.00	257.50	270.00	ATW2430	200.00	227.50	230.00	22
24 x 42	ATWB2442	290.00	335.00	340.00	ATW2442	252.50	297.50	302.50	32
24 x 45	ATWB2445	330.00	375.00	380.00	ATW2445	287.50	322.50	337.50	37
24 x 48	ATWB2448	330.00	375.00	380.00	ATW2448	287.50	322.50	337.50	43
24 x 60	ATWB2460	390.00	440.00	445.00	ATW2460	340.00	390.00	395.00	60
30 x 30	ATWB3030	312.50	347.50	352.50	ATW3030	237.50	372.50	377.50	27
30 x 42	ATWB3042	312.50	357.50	362.50	ATW3042	270.00	315.00	320.00	38
30 x 45	ATWB3045	325.00	370.00	375.00	ATW3045	282.50	327.50	332.50	40
30 x 48	ATWB3048	342.50	387.50	392.50	ATW3048	297.50	342.50	347.50	45
30 x 60	ATWB3060	432.50	487.50	492.50	ATW3060	385.00	440.00	445.00	54
30 x 72	ATWB3072	507.50	572.50	580.00	ATW3072	442.50	507.50	515.00	65
36 x 36	ATWB3636	352.50	395.00	400.00	ATW3636	307.50	350.00	355.00	40
36 x 48	ATWB3648	480.00	550.00	555.00	ATW3648	410.00	480.00	485.00	55
42 x 42	ATWB4242	535.00	630.00	635.00	ATW4242	467.50	562.50	567.50	55
42 x 42*	ATWB4242BC	595.00	690.00	695.00	ATW4242BC	517.50	612.50	617.50	55
24" R	--	--	--	--	ATW24	230.00	252.50	257.50	15
30" R	--	--	--	--	ATW30	287.50	322.50	327.50	23
36" R	--	--	--	--	ATW36	400.00	442.50	447.50	35
42" R	--	--	--	--	ATW42	552.50	647.50	652.50	45
48" R	--	--	--	--	ATW48	627.50	737.50	750.00	58
60" R	--	--	--	--	ATW60	737.50	860.00	872.50	112

- For Standard, Premium 1 & Premium 2 definitions, refer to page 50.
- Refer to pages 50 and 51 for ordering options and additional specifications.
- Add 10% upcharge if order less than four tops.

Wood, Hand Finished Table Tops

Solid Ash Hardwood Tops



ATS Hand Finished
Standard Thickness: 1-1/4"



Size	Solid Ash Tops (1.25")		Wt Lbs
	Model #	Standard List \$	
24 x 24	W2424	217.50	18
24 x 30	W2430	255.00	27
24 x 42	W2442	397.50	40
24 x 45	W2445	397.50	43
24 x 48	W2448	397.50	36
24 x 60	W2460	612.50	44
30 x 30	W3030	355.00	28
30 x 42	W3042	497.50	48
30 x 45	W3045	497.50	53
30 x 48	W3048	497.50	59
30 x 60	W3060	642.50	60
30 x 72	W3072	742.50	76
36 x 36	W3636	445.00	41
36 x 48	W3648	593.00	55
42 x 42	W4242	642.50	58
42 x 42*	W4242BC	642.50	58
24" R	W24	217.50	18
30" R	W30	347.50	28
36" R	W36	445.00	41
42" R	W42	642.50	58
48" R	W48	812.50	76
60" R	W60	1890.00	130
36 x 36 x 51	W36/51	1527.50	115

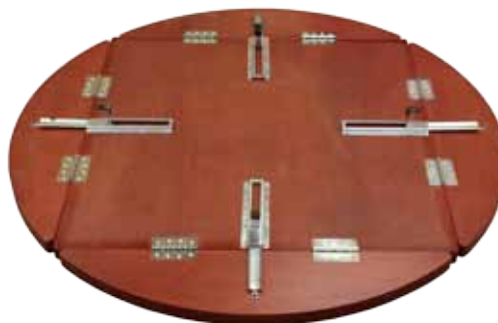
• Refer to pages 50 and 51 for ordering options and additional specifications.

Drop-leaf Table Tops



Base not included

M36/51-DM



Size	Model #	Top Material	Qty 12+ List \$	Qty 6+ List \$	Qty <5 List \$	Wt Lbs
36 X 36 X 51	M36/51	Maple Veneer	\$497.50	\$597.50	\$672.50	85
36 X 36 X 51	C36/51	Melemine - DM	\$450.00	\$475.00	\$497.50	85
36 X 36 X 51	C36/51	Melemine - Black	\$450.00	\$475.00	\$497.50	85

- New E-Z slide hardware.
- All hardware is heavy-duty commercial grade.
- Simple operation: just slide, fold and latch!
- Turns a 4-top into a 6-top in seconds!

Padded Table Tops

White vinyl Padding



Base not included



Size	Model #	Qty 5+ List \$	Qty 1-4 List \$	Wt Lbs
24 X 24	ATP2424	115.00	140.00	17
24 X 30	ATP2430	137.50	165.00	21
24 X 42	ATP2442	170.00	205.00	30
24 X 45	ATP2445	182.50	220.00	32
24 X 48	ATP2448	182.50	220.00	34
24 X 60	ATP2460	255.00	305.00	42
30 X 30	ATP3030	160.00	187.50	26
30 X 42	ATP3042	200.00	237.50	37
30 X 45	ATP3045	200.00	237.50	39
30 X 48	ATP3048	200.00	237.50	43
30 X 60	ATP3060	330.00	367.50	53
30 X 72	ATP3072	337.50	395.00	64

Size	Model #	Qty 5+ List \$	Qty 1-4 List \$	Wt Lbs
36 X 36	ATP3636	200.00	237.50	38
36 X 48	ATP3648	312.50	372.50	52
42 X 42	ATP4242	345.00	412.50	53
**42 X 42	ATP4242BC	400.00	480.00	53
24" R	ATP24	115.00	140.00	13
30" R	ATP30	160.00	187.50	21
36" R	ATP36	200.00	237.50	30
42" R	ATP42	345.00	412.50	42
48" R	ATP48	380.00	452.50	54
60" R	ATP60	540.00	645.00	85
36 X 36 X 51	ATP36/51	750.00	870.00	88

• Refer to pages 50 and 51 for ordering options and additional specifications.

TABLE BASES

Packaging and Shipping:

- All bases are palletized and shipped via common carrier.
- Add 40 pounds per pallet when pricing freight.

Table Base Finishes:

- Matte black textured finish is standard.
- Chrome column is available. See page 61.

Recommended Base Size:

Top Size	Base	Top Size	Base	Top Size	Base	Top Size	Base
24" Round	T2222M TR18M	30" Round	T2222M TR24M	36" Round	T3030M TR30M	42" Round	T3636M TR34M
24" x 24"	T2222M TR18M	30" x 30"	T2222M TR24M	36" x 36"	T3030M TR30M	42" x 42"	T3636M TR34M
24" x 30"	T2222M TR18M	30" x 42"	T2430M	36" x 48"	T0522M (2) T2430M	48" Round	T3636M TR34M
24" x 42"	T2430M	30" x 45"	T2430M	36/51	T3636M TR34M	60" Round	T0522M (3)
24" x 48"	T0522M (2) T2430M	30" x 48"	T0522M (2) T2430M	30" x 72"	T0522M (3)		
24" x 60"	T0522M (2)	30" x 60"	T0522M (2)				

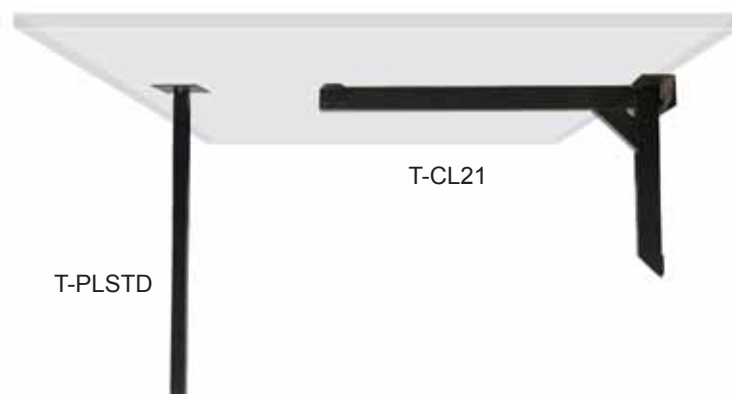
Standard Height Column:

- Standard height column measures approximately 28.25".

Bar Height Columns:

- Bar height column measures approximately 40.25".
- ATS does not recommend bar height columns on tops with 42" or larger dimensions.

Cantilever Table Bases



Model #	Description	List \$	Recommended Table Size	21"	18"	17"	Weight Lbs
T-CL21	21" Cantilever Table Base	90.00	24"-30"	21"	18"	17"	10
T-CL29	29" Cantilever Table Base	107.50	36"-48"	29"	18"	17"	11
T-CL47	47" Cantilever Table Base	130.00	54" & up	47"	18"	17"	14
T-PLSTD	Pin Leg Table Base	37.50	-	30" HEIGHT			3

- T-PLSTD is recommended when using table size 12" or greater than cantilever base size.

2-Piece Easy Assembly Table Bases

BASES SHIPPED ON PALLETS ONLY



T0522M



T2430M



T3636M



TR18-BAR-3M



TF-R
(3" column)

Complete Base Kit / Standard Table Height

Model #	Description	WITHOUT Tops List \$	WITH Tops List \$	Wt Lbs
T0522M	5" X 22" w/ 3" Column	62.50	55.00	15
T2222M	22" X 22" w/ 3" Column	67.50	57.50	15
T2430M	24" X 30" w/ 3" Column	77.50	62.50	18
T3030M	30" X 30" w/ 3" Column	80.00	62.50	19
T3636M	36" X 36" w/ 4" Column	140.00	100.00	29
TR18M	18" Round w/ 3" Column	115.00	77.50	25
TR24M	24" Round w/ 4" Column	140.00	97.50	39
TR30M	30" Round w/ 4" Column	190.00	145.00	61
TR34M	34" Round w/ 4" Column	220.00	202.50	70

Complete Base Kit / Bar Height

T0522-BAR-3M	5" X 22" w/ 3" Column	88.50	81.00	16
T2222-BAR-3M	22" X 22" w/ 3" Column	93.50	83.50	19
T2430-BAR-3M	24" X 30" w/ 3" Column	103.50	88.50	23
T3030-BAR-3M	30" X 30" w/ 3" Column	106.00	88.50	24
T3636-BAR-4M	36" X 36" w/ 4" Column	171.50	131.50	34
TR18-BAR-3M	18" Round w/ 3" Column	141.00	103.50	26
TR24-BAR-4M	24" Round w/ 4" Column	171.50	129.00	40
TR30-BAR-4M	30" Round w/ 4" Column	221.50	176.50	62
TR34-BAR-4M	34" Round w/ 4" Column	251.50	234.00	71

Additional Option (add to above prices)

TF-R	Foot Ring (3" column only)	65.00	7
------	----------------------------	-------	---

• Refer to pages 58 for ordering options and additional specifications.

Base Component List:

T0522M T0522 & TC2503M T2222M T2222 & TC2503M T2430M T2430 & TC2503M T3030M T3030 & TC2503M T3636M T3636 & TC2504M	T0522-BAR-3M.....T0522 & BAR-3M T2222-BAR-3M.....T2222 & BAR-3M T2430-BAR-3M.....T2430 & BAR-3M T3030-BAR-3M.....T3030 & BAR-3M T3636-BAR-4M.....T3636 & BAR-4M
TR18M..... TR18 & TC2503M TR24M..... TR24 & TC2504M TR30M..... TR30 & TC2504M TR34M..... TR34 & TC2504M	TR18-BAR-3M.....TR18 & BAR-3M TR24-BAR-4M.....TR24 & BAR-4M TR30-BAR-4M.....TR30 & BAR-4M TR34-BAR-4M.....TR34 & BAR-4M

2-Piece Easy Assembly Table Bases



Base & Column Parts

Model #	Description	Qty	List \$	Wt Lbs
T0522-BB	5" X 22" Bottom Base Only	1	32.50	7
T2222-BB	22" X 22" Bottom Base Only	1	37.50	10
T2430-BB	24" X 30" Bottom Base Only	1	47.50	14
T3030-BB	30" X 30" Bottom Base Only	1	50.00	15
T3636-BB	36" X 36" Bottom Base Only	1	90.00	21
TR18-BP	18" Round Bottom Plate Only	1	67.50	17
TR24-BP	24" Round Bottom Plate Only	1	90.00	27
TR30-BP	30" Round Bottom Plate Only	1	122.50	49
TR34-BP	34" Round Bottom Plate Only	1	185.00	86
TC2503M	3" Column w/ Spider-Std Height	1	47.50	8
TC2504M	4" Column w/ Spider-Std Height	1	60.00	12
BAR-3M	3" Bar Height Column w/ Spider	1	65.00	9
BAR-4M	4" Bar Height Column w/ Spider	1	72.50	13

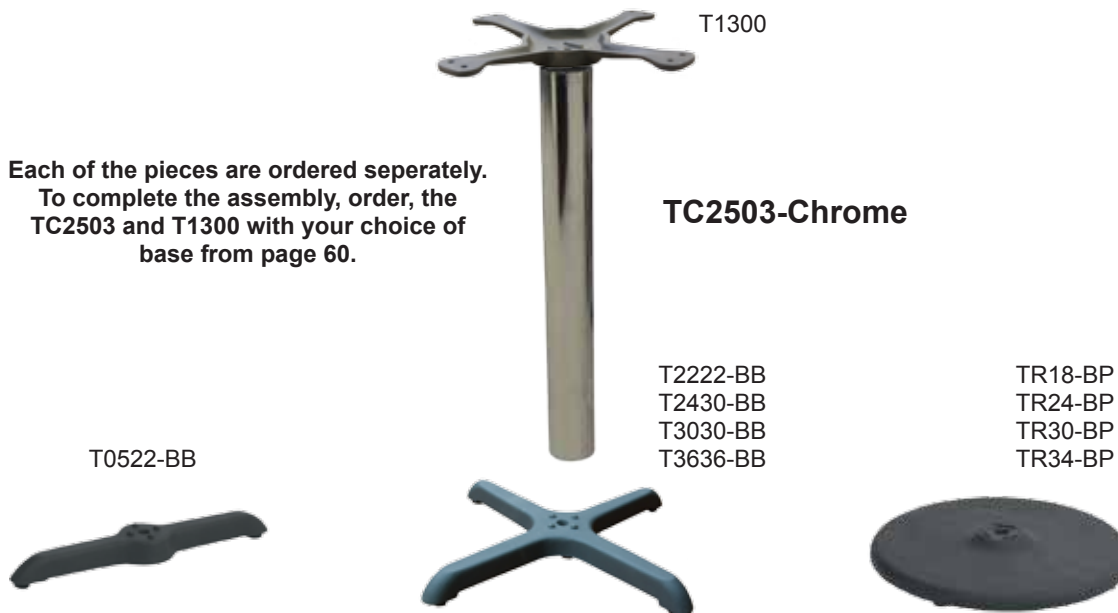
Case Pricing - Base & Column Parts

Model #	Description	Per Case Qty	Per Case List \$	Per Case Wt Lbs
T0522-BB-CASE	5" X 22" Bottom Base Only (3" Column)	10	197.50	53
T2222-BB-CASE	22" X 22" Bottom Base Only (3" Column)	5	120.00	42
T2430-BB-CASE	24" X 30" Bottom Base Only (3" Column)	5	135.00	54
T3030-BB-CASE	30" X 30" Bottom Base Only (3" Column)	5	147.50	65
T3636-BB-CASE	36" X 36" Bottom Base Only (4" Column)	2	132.50	42
TR18-BP-CASE	18" Round Bottom Base Only (3" Column)	5	217.50	88
TR24-BP-CASE	24" Round Bottom Base Only (4" Column)	2	125.00	61
TR30-BP-CASE	30" Round Bottom Base Only (4" Column)	1	122.50	55
TR34-BP-CASE	34" Round Bottom Base Only (4" Column)	1	185.00	86
TC2503M-CASE	3" Column w/ Spider-Std Height	8	262.50	62
TC2504M-CASE	4" Column w/ Spider-Std Height	8	282.50	73
BAR-3M-CASE	3" Bar Height Column w/ Spider	8	402.50	79
BAR-4M-CASE	4" Bar Height Column w/ Spider	8	452.50	95
TF-R	Foot Ring only (3" Column)	1	65.00	7

• Refer to pages 58 for ordering options and additional specifications.

3 Piece Chrome Table Column

Each of the pieces are ordered seperately.
To complete the assembly, order, the
TC2503 and T1300 with your choice of
base from page 60.



Model #	Description	Qty	List \$	Wt Lbs
TC2503M-Chrome	3" Chrome Column-Std Height	1	47.50	8
T1300	13" Spider	1	27.50	0.5

Core Drill - Mounted Diner Chair Bases



- Shipped completely assembled.
- Floor bolts/screws, not included.

Model #	Description	List \$	Wt Lbs
SR-CP	27.4" Chrome Base	141.25	15
SR-CP-24	24" Chrome Base	131.25	14

- Special order product, please call for exact lead time.

PARTS

Hardware - Specify Furniture Model & Covering		
Model #	Description	\$
Glides-A	Glides - Metal Chair	2.50
Glides-B	Glides - Wood Chair	1.20
Glides-C	Glides - Booth / TR	1.50
Glides-TF-2	Glides - Adjustable Table Base	2.50
Glides-TF-4	Glides - Self-adjusting Base (4)	27.50
SCREW,Z,1/2	Screw, Zinc - 10 x 1/2 Seat (50)	10.00
SCREW,Z,3/4	Screw, Zinc - 10 x 3/4 Base (50)	10.00
SCREW,B,1/2	Screw, Black - 10 x 1/2 Seat (50)	10.00
BRACKET,U,ZINC	Bracket - Sydney U Zinc	2.00
BRACKET,U,BLK	Bracket - Sydney U Black	2.00
BRACKET,U,BRE	Bracket - Sydney U Bronze	2.00

Hardware - Specify Furniture Model & Covering		
Model #	Description	\$
TR- Hinge	TR- Hinge	40.00
TR- Door Latch	TR- Door Latch	25.00
TR- Top Door	TR- Top Door	100.00
TR- Bottom Door	TR- Bottom Door	150.00
TR-Rail Set	TR-Rail Set	50.00
FP-B	Foot Plate - Brass	25.00
FP-C	Foot Plate - Chrome	25.00
BRACKET,V,ZINC	Bracket - Sydney V Zinc (L)	2.00
HDWE-W.CHAIR	Hardware Pack - Wood Chair	12.00
HDWE-M.CHAIR	Hardware Pack - Metacl Chair	12.00
Liner	TR- Plastic Liner (32 gallons)	230.00

Furniture Components - Specify Furniture Model & Covering						
Model #	Description	Standard / GR4 \$	Prem 1 / GR5 \$	Prem 2 / GR6 \$	- GR7 \$	- GR8 \$
UPHSEAT-MC	Seat - Upholstered Metal Chair	32.50	34.50	37.50	41.00	42.50
UPHSEAT-WC	Seat - Upholstered Wood Chair	32.50	34.50	37.50	41.00	42.50
UPHSEAT-BOOTH	Seat - Standard Booth	202.50	213.00	233.00	253.50	263.50
UPHSEAT-COVER	Seat - Standard Booth Cover Only	75.00	79.00	86.50	94.00	97.50
UPHSEAT-PART	Seat - Platform Booth	115.00	121.00	132.50	144.00	149.50
UPH-TOPCAP	Top Cap - Upholstered	15.00/FT	16.00	17.50	19.00	19.50
WD-TOPCAP	Top Cap - Wood	33.00/FT	35.00	38.00	41.50	43.00
LAM-TOPCAP	Top Cap - Laminate	37.00/FT	50.00	60.00	-	-
UPH-S-ENDCAP	End Cap - Upholstered, Single	50.00	52.50	57.50	62.50	65.00
UPH-D-ENDCAP	End Cap - Upholstered, Double	60.00	63.00	69.00	75.00	78.00
WD-S.ENDCAP	End Cap - Wood, Single	115.00	121.00	132.50	144.00	149.50
WD-D.ENDCAP	End Cap - Wood, Double	133.00	140.00	153.00	166.50	173.00
LAM-S.ENDCAP	End Cap - Laminate, Single	141.00	180.00	200.00	-	-
LAM-D.ENDCAP	End Cap - Laminate, Double	164.00	215.00	250.00	-	-
VINYL/FABRIC	Vinyl / Fabric Only (Fabric Yard)	32.00/YD	37.00	49.50	67.00	74.50
VINYL-KICK	Vinyl - Kickplate	1.00/FT	1.25	1.50	2.00	2.25
T-MOD	Vinyl - T-Mold	2.50/FT	-	-	-	-
BULLNOSE T-MOD	Vinyl - Bullnose T-Mold	6.00/FT	-	-	-	-
	Laminate - Sheet (Standard) 4 x 8	150.00	195.00	320.00	-	-

- Specify furniture model number and upholstery style when ordering.
- Specify length on top caps and height on end caps.
- If matching a previous order, please provide either the original PO number or Invoice number.

Trash Receptacles (with liner)



TR1-DM (Dark Mahogany)



TR1-O (Oak)



TR1-B (Black)
(in Stork)



TR1-W (Walnut)



TR2 (Wilsonart 4884-38)



TR3 (Wilsonart)

For TR2 & TR3 only

- 32 gallon Liner Included.
- Standard text colors: white, custom colors, add \$25 list.
- Standard text " THANK YOU", custom text, add \$75 list.

Model #	Description	List \$	Wt Lbs
TR1	Melamine Trash Receptacle (available in oak, walnut, dark mahogany & black)	672.50	112
TR2	Laminated Trash Receptacle (Based on standard Wilsonart laminate)	1080.00	120
TR3	Laminated Trash Receptacle (Based on standard Wilsonart laminate)	1875.00	181

• Refer to pages 58 for ordering options and additional specifications.



High Chairs

Model #	Quantity:12+ List \$	Quantity: 5-11 List \$	Quantity:1-4 List \$	Wt Lbs
High Chair	80.00	87.50	97.50	14

Visit our easy, fast and user friendly web catalog for special offers, product quotes, lead time, credit information and much more...

ATSFurniture.com



ONE STOP VALUE...

FOR ALL YOUR FURNITURE NEEDS

Fax orders to: 770-270-5919

Email orders to: PurchaseOrder@ATSFurniture.com

Order online (approved dealers only) at www.ATSFurniture.com

NOTE: All information in this price list supersedes all information in previous price lists, T&C, quotations, catalog pages and swatch cards, and is subject to change without notice.



American Tables & Seating, Inc..
5025-C N. Royal Atlanta Dr.,
Tucker, GA 30084
www.ATSFurniture.com

E-mail: Info@ATSFurniture.com
TEL: 770.270.1688
FAX: 770.270.5919